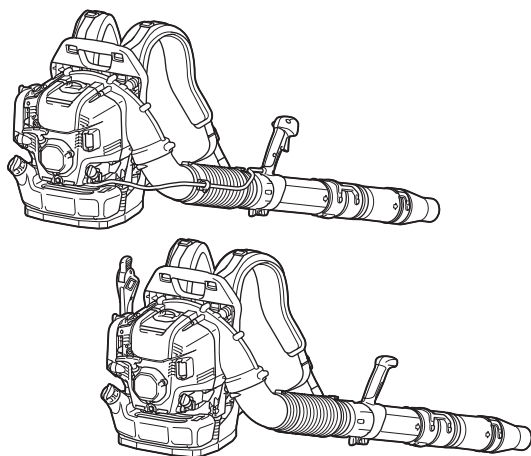


ORIGINAL INSTRUCTION MANUAL  
MANUEL D'INSTRUCTIONS  
ORIGINAL  
MANUAL DE INSTRUCCIONES  
ORIGINALES



# Blower Souffleur Thermique Sopladora a Gasolina

**EB5300TH**  
**EB5300WH**



**IMPORTANT:** Read Before Using.

**IMPORTANT :** Lire avant usage.

**IMPORTANTE:** Lea antes de usar.

## TABLE OF CONTENTS

SPECIFICATIONS .....	2	BEFORE STARTING THE ENGINE .....	11
IMPORTANT SAFETY INSTRUCTIONS.....	3	OPERATION.....	13
PARTS DESCRIPTION.....	8	MAINTENANCE.....	17
ASSEMBLY.....	10	TROUBLESHOOTING.....	25








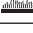
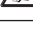

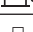
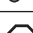





## SPECIFICATIONS

Model:		EB5300TH	EB5300WH
Throttle type		Tube throttle	Hip throttle
Dry weight	without blower pipe / with cushion	19.7 lbs (8.9 kg)	20.1 lbs (9.1 kg)
	with blower pipe	21.7 lbs - 22.2 lbs (9.8 kg - 10.0 kg)	22.3 lbs - 22.8 lbs (10.1 kg - 10.3 kg)
Dimension (without blower pipe, L x W x H)		12-5/8" x 17-3/4" x 18-3/4" (320 mm x 450 mm x 475 mm)	12-5/8" x 20" x 18-3/4" (320 mm x 510 mm x 475 mm)
Air velocity	(with long pipe, circular nozzle)	182 MPH (81 m/s)	
	(with short pipe, circular nozzle)	184 MPH (82 m/s)	
Air volume flow rate	(with long pipe, circular nozzle)	512 CFM (15 m <sup>3</sup> /minute)	
	(with short pipe, circular nozzle)	516 CFM (15 m <sup>3</sup> /minute)	
Maximum engine speed		6,400 rpm	
Idling speed		2,800 rpm	
Engine displacement		1.78 fl oz (52.5 cm <sup>3</sup> )	
Engine type		Air cooled, 4-stroke, single cylinder	
Fuel		Automobile gasoline	
Fuel tank capacity		60.9 fl oz (1,800 cm <sup>3</sup> )	
Engine oil		API grade SF class or higher, SAE 10W-30 oil (automobile 4-stroke engine oil)	
Engine oil volume		4.7 fl oz (140 cm <sup>3</sup> )	
Carburetor		Diaphragm type	
Spark plug		NGK CMR6H	
Electrode gap		0.028" - 0.031" (0.7 mm - 0.8 mm)	

- Due to our continuing program of research and development, the specifications herein are subject to change without notice.
- Specifications may differ from country to country.
- The weight may differ depending on the attachment(s).
- (For Canada) NOTE: This spark ignition system complies with the Canadian standard ICES-002.

## Symbols

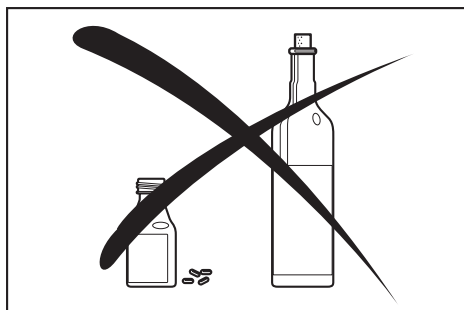
The following show the symbols used for the equipment. Be sure that you understand their meaning before use.

	Take particular care and attention.
	Read the instruction manual.
	Forbidden!
	No smoking.
	No open flame.
	Wear protective gloves.
	Wear eye and ear protection.
	Hot surfaces - Burns to fingers or hands.
	Keep bystanders away.
	Keep the area of operation clear of all persons and pets.
	Fuel (gasoline)
	Engine manual start.
	Stop the engine.
	First aid
	On/Start
	Off/Stop
	Long hair may cause entanglement accident.

## IMPORTANT SAFETY INSTRUCTIONS

### General instructions

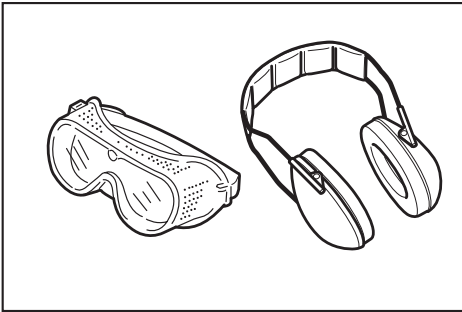
1. To ensure correct and safe operation, the user must read, understand and follow this instruction manual to assure familiarity with the handling of the blower. Users insufficiently informed will risk danger to themselves as well as others due to improper handling.
2. It is recommended only to lend the blower to people who have proven to be experienced with blowers.
3. Always hand over the instruction manual when lending the blower.
4. First-time users should ask the dealer for basic instructions to familiarize oneself with the handling of a blower.
5. Children and young persons aged under 18 years must not be allowed to operate the blower. Persons over the age of 16 years may however use the tool for the purpose of being trained only while under the direct supervision of a qualified trainer.
6. Use blowers with the utmost care and attention.
7. Operate the blower only if you are in good physical condition.
8. Perform all work conscientiously and carefully. The user has to accept responsibility for others.
9. Never use the blower while under the influence of alcohol or drugs.



10. Do not use the unit when you are tired.
11. Save these instructions for future reference.
12. Observe and follow all relevant accident prevention instructions issued by the trade associations and by insurance companies. Do not perform any modifications to the blower as this will risk your safety.

- Never make modification on the equipment. It may cause dangerous accidents or personal injury.

## Personal protective equipment



- The clothing worn should be functional and appropriate, i. e., it should be tight fitting but not cause a hindrance. Do not wear jewelry, clothing or long hair which could be drawn into the air intake.
- In order to avoid head-, eye-, hand- or foot injuries as well as to protect your hearing the following protective equipment and protective clothing must be used during operation of the blower.
- Clothing must be sturdy and snug-fitting, but allow complete freedom of movement. Avoid loose-fitting jackets, flared or cuffed pants, scarves, unconfined long hair or anything that could be drawn into the air intake. Wear overalls or long pants to protect your legs. Do not wear shorts.
- Generally, engine products are noisy and their noise may damage your hearing. Wear sound barriers (ear plugs or ear muffs) to protect your hearing. Continual and regular users should have their hearing checked regularly.
- Use of gloves when working with the blower is recommended. Wear sturdy shoes with non-slip soles.

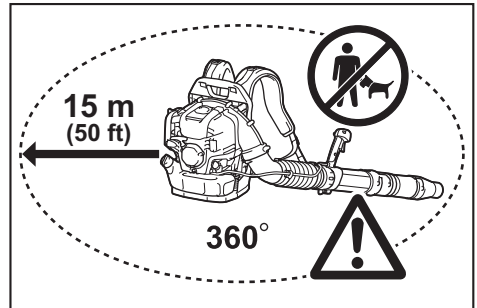
- Proper eye protection is a must. Even though the discharge is directed away from the operator, ricochets and bounce-backs can occur during blower operation.
- Never operate a blower unless wearing goggles or properly fitted safety glasses with adequate top and side protection which comply with ANSI Z87.1 and regulations in your country.
- To reduce the risk of injury associated with the inhalation of dust, use face filter mask in dusty conditions.

## Intended use

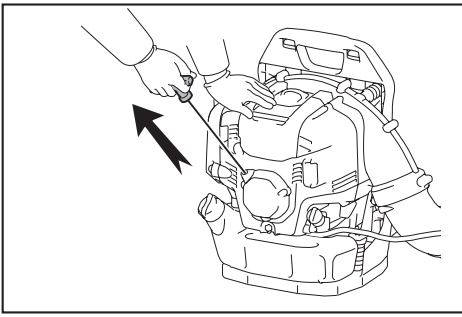
The tool is intended for blowing dust.

## Starting up the blower

- Clear the area of children, bystanders, and pets. At a minimum, keep all children, bystanders, and pets outside a 15 m (50 ft) radius; outside the 15 m (50 ft) zone, there is still a risk of injury from thrown objects. Bystanders should be encouraged to wear eye protection. If you are approached, stop the engine.



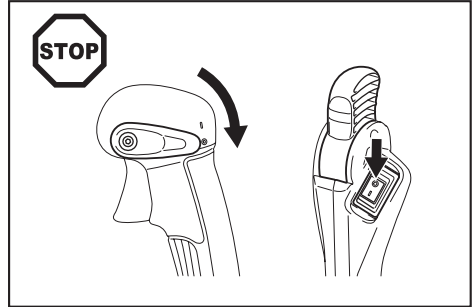
- Before operating, always check that the blower is safe for operation:
  - Check the security of the throttle lever. The throttle lever should be checked for smooth and easy action.
  - Check for proper functioning of the throttle lever lock.
  - Check for clean and dry handles and test the function of the I-O switch. Keep handles free of oil and fuel.
- Start the blower only in accordance with the instructions. Do not use any other methods for starting the engine.



4. Use the blower and the tools supplied only for applications specified.
5. Start the blower engine only after the entire tool has been assembled. Operation of the tool is permitted only after all the appropriate accessories are attached.
6. The engine is to be switched off immediately if there are any engine problems.
7. When working with the blower, always wrap your fingers tightly around the handle, keeping the control handle cradled between your thumb and forefinger. Keep your hand in this position to have your machine under control at all times. Make sure your control handle is in good condition and free of moisture, pitch, oil or grease.
8. Always ensure a safe, well-balanced footing.
9. Carry the blower properly on both shoulders during operation. Do not carry the blower with only one shoulder strap. Otherwise personal injury may result.
10. Operate the blower in such a manner as to avoid inhalation of the exhaust gases. Never run the engine in enclosed rooms (risk of suffocation and gas poisoning). Carbon monoxide is an odorless gas. Always ensure there is adequate ventilation.
11. Switch off the engine when resting or leaving the blower unattended. Place it in a safe location prevent danger to others, setting fire to combustible materials, or damage to the machine.
12. Never lay the hot blower onto dry grass or onto any combustible materials.
13. All protective parts and guards supplied with the machine must be used during operation.
14. Never operate the engine with a faulty exhaust muffler.

## Transport

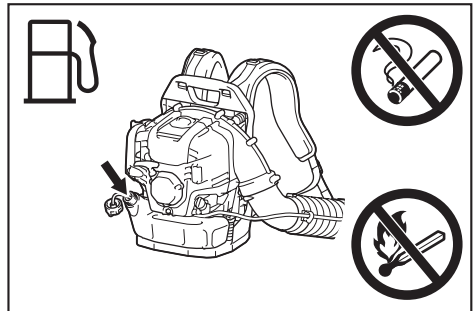
1. Shut off the engine during transport.



2. Position the blower safely during car or truck transportation to avoid fuel leakage.
3. When transporting the blower, ensure that the fuel tank is completely empty.
4. Lift the blower with holding carry handle when you carry it. Do not drag the blower by nozzle, pipe or other parts.
5. Hold the blower firmly during transportation.
6. When transport the blower, bend your knee and make sure you do not damage your shoulder and lower back.

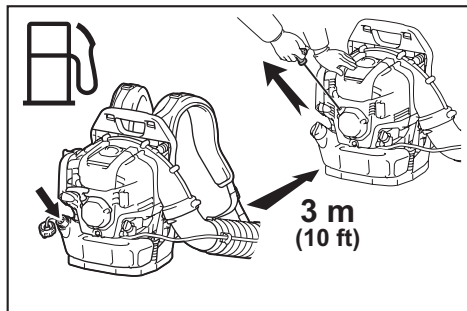
## Refuelling

1. Stop the engine during refuelling, keep well away from open flame and do not smoke.



2. Avoid skin contact with petroleum products. Do not inhale fuel vapor. Always wear protective gloves during refuelling. Change and clean protective clothing at regular intervals.
3. Take care not to spill either fuel or oil in order to prevent soil contamination (environmental protection). Clean the blower immediately after fuel has been spilled. Allow wet cloths to dry before disposing in properly, covered container to prevent spontaneous combustion.

4. Avoid any fuel contact with your clothing. Change your clothing immediately if fuel has been spilled on it (fire hazard).
5. Inspect the fuel cap at regular intervals making sure that it stays securely fastened.
6. Carefully tighten the fuel cap. Change locations to start the engine (at least 3 meters (10 ft) away from the place of refuelling).
6. Pay attention to the direction of the wind, i.e., do not work against the wind.
7. To reduce the risk of stumbling and loss of control, do not walk backward while operating the machine.
8. Always stop the engine before cleaning or servicing the unit or replacing parts.
9. Take a rest to prevent loss of control caused by fatigue. We recommend to taking a 10 to 20-minute rest every hour.



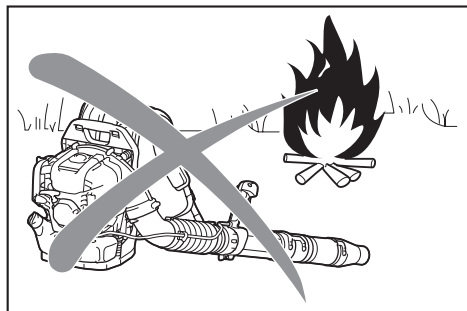
7. Never refuel in closed rooms. Fuel vapors accumulate at ground level (risk of explosions).
8. Only transport and store fuel in approved containers. Make sure stored fuel is not accessible to children.
9. Do not attempt to refuel a hot or a running engine.
10. Do not refuel more than the amount defined in "SPECIFICATIONS".
11. Avoid blowing debris towards people, pets, open windows, or cars when using unit.
12. To reduce physical influence from vibration and/or damage to the ears, operate the machine at low speed if possible and limit the time of operation.
13. Operate the machine only at reasonable hours. Do not operate the blower in the morning or late at night when people might be disturbed. Comply with times listed in local ordinances.
14. It is recommended for using rakes and brooms to loosen debris before blowing.
15. Before blowing, slightly dampen surfaces in dusty conditions or use water mist sprayer if necessary.
16. Conserve water by using blowers instead of hoses for many lawn and garden applications, including areas such as gutters, screens, patios, grills, porches, and gardens.

## Method of operation

1. Use the blower only in good light and visibility. Beware of slippery or wet areas, ice and snow (risk of slipping), and narrow space. Always ensure a safe footing.
2. Never work on unstable surfaces or steep terrain.
3. Do not work from ladders or high places. Otherwise it may result in personal injury.
4. To reduce the risk of personal injury, do not direct air blast towards bystanders, since the high pressure of the air flow could injure eyes and could blow small objects at great speed.
5. Never insert any foreign object into the air intake of the machine or into the nozzle of the blower. It will damage the fan wheel and may cause serious injury to the operator or bystanders as a result of the object or broken parts being thrown out at high speed.
17. Adjust the length of the blower nozzle so that the stream can work close to the ground.
18. To reduce sound levels, limit the number of pieces of equipment used at any one time.
19. After using blowers and other equipment, CLEAN UP! Dispose of debris in trash receptacles.
20. Do not accelerate the engine more than necessary. Blown object may result in personal injury.
21. The exhaust muffler becomes hot during the operation. Do not touch hot exhaust muffler, skin burn may result.
22. Do not operate the machine in explosive atmospheres, such as in the presence of flammable liquids, gases or dust. The machine creates sparks which may ignite the dust or fumes.

## Maintenance instructions

1. **Be kind to the environment. Operate the blower with as little noise and pollution as possible. In particular, check the correct adjustment of the carburetor.**
2. **Clean the blower at regular intervals and check that all screws and nuts are securely tightened.**
3. **Never service or store the blower in the vicinity of open flames, sparks, etc.**



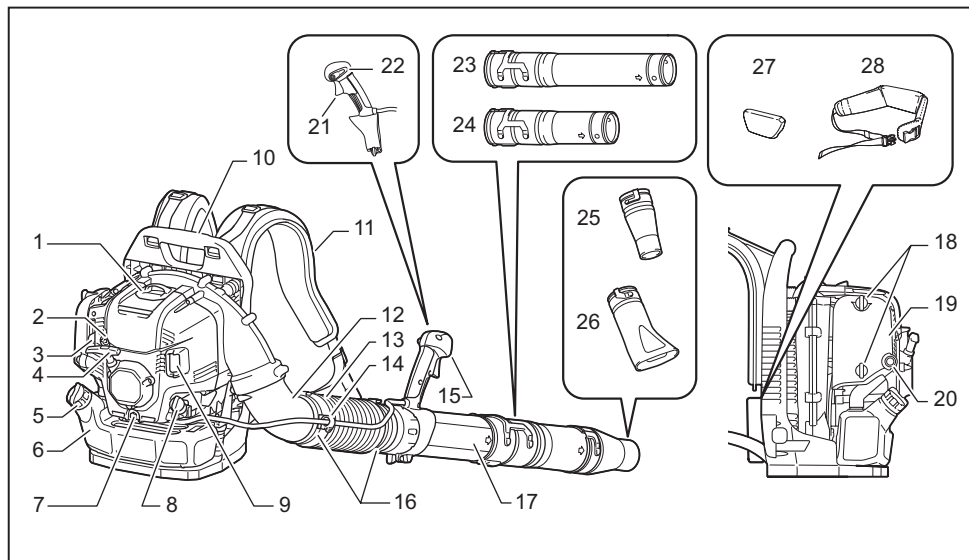
4. **Always store the blower in a well-ventilated locked room and with the fuel tank emptied.**
5. **The performance of maintenance or repair work by the user is limited to those activities as described in this instruction manual. All other work is to be done by Authorized Service Agents.**
6. **Use only genuine spare parts and accessories supplied by Makita. Use of non-approved accessories and tools may result in accidents and injuries. Makita will not accept any liability for accidents or damage caused by the use of any non-approved attachment or accessories.**
7. **Incorrect repair and poor maintenance can shorten the life of the equipment and increase the risk of accidents.**

## First aid

1. In case of accident make sure that a well-stocked first-aid kit is available in the vicinity of the operations. Immediately replace any item taken from the first aid kit.
2. **When asking for help, give the following information:**
  - **Place of the accident**
  - **What happened**
  - **Number of injured persons**
  - **Nature of the injury**
  - **Your name**

# PARTS DESCRIPTION

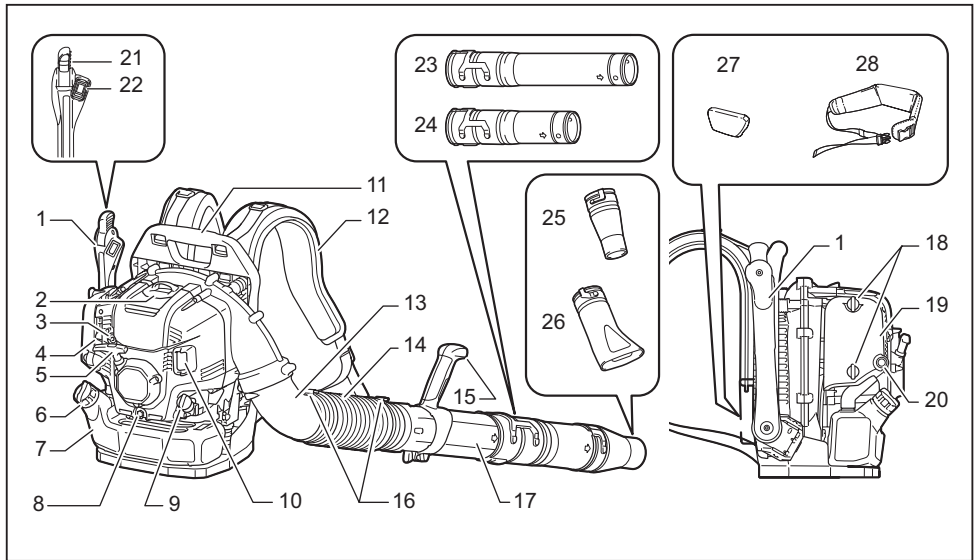
EB5300TH



1	Spark plug cover	9	Muffler	17	Swivel pipe	25	Circular nozzle
2	Anti icing lever	10	Carry handle	18	Knob bolt (of air cleaner cover)	26	Flat nozzle (optional accessory)
3	Choke lever	11	Shoulder strap	19	Air cleaner cover	27	Cushion (optional accessory)
4	Starter knob	12	Elbow	20	Primer pump	28	Hip belt (optional accessory)
5	Fuel tank cap	13	Flexible pipe	21	Throttle trigger	-	-
6	Fuel tank	14	Cable holder	22	Stop control lever	-	-
7	Oil drain bolt	15	Control handle	23	Long pipe (optional accessory)	-	-
8	Oil cap	16	Hose band	24	Short pipe (optional accessory)	-	-

- Standard accessories may differ from country to country.





1	Control arm	9	Oil cap	17	Swivel pipe	25	Circular nozzle
2	Spark plug cover	10	Muffler	18	Knob bolt (of air cleaner cover)	26	Flat nozzle (optional accessory)
3	Anti icing lever	11	Carry handle	19	Air cleaner cover	27	Cushion (optional accessory)
4	Choke lever	12	Shoulder strap	20	Primer pump	28	Hip belt (optional accessory)
5	Starter knob	13	Elbow	21	Throttle lever	-	-
6	Fuel tank cap	14	Flexible pipe	22	Stop switch	-	-
7	Fuel tank	15	Handle assembly	23	Long pipe (optional accessory)	-	-
8	Oil drain bolt	16	Hose band	24	Short pipe (optional accessory)	-	-

- Standard accessories may differ from country to country.

# ASSEMBLY

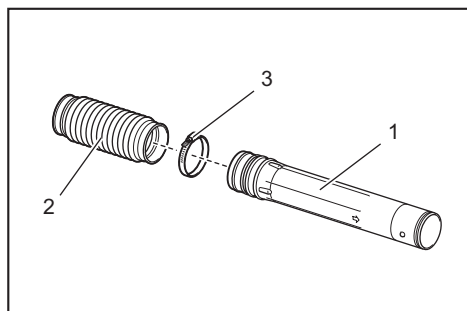
**⚠ CAUTION:** Before performing any work on the blower, always stop the engine and pull the spark plug cap off the spark plug.

**⚠ CAUTION:** Start the blower only after having assembled it completely.

**⚠ CAUTION:** Always wear protective gloves.

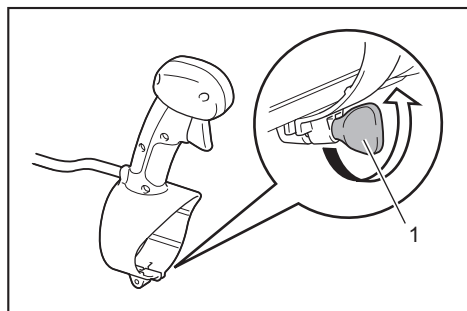
## Assembling blower pipes

1. Insert the swivel pipe into the flexible pipe and tighten them with the hose band.



- 1. Swivel pipe 2. Flexible pipe 3. Hose band

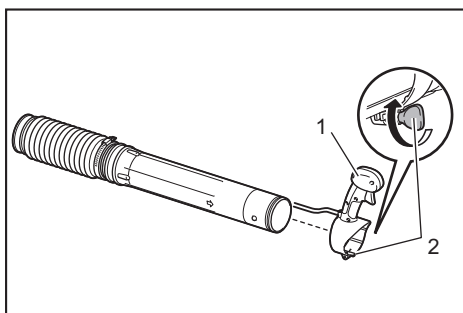
2. Loosen and remove the clamp screw.



- 1. Clamp screw

For tube throttle model, be careful not to twist the cable on the control handle when attaching to the swivel pipe.

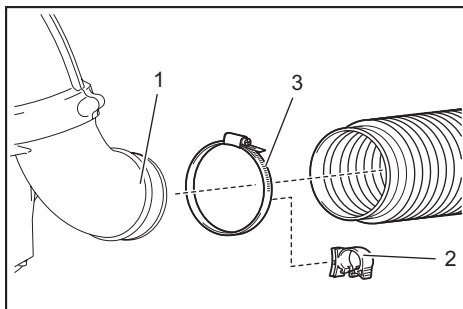
3. Install the control handle / handle assembly onto the swivel pipe and tighten them with the clamp screw.



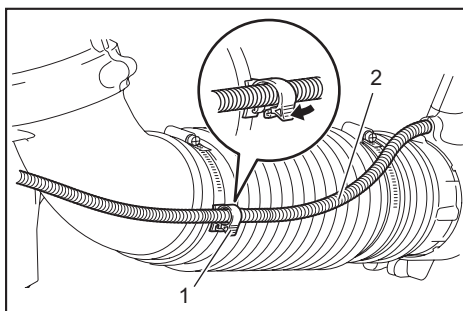
- 1. Control handle / handle assembly  
2. Clamp screw

4. Attach the flexible pipe to the elbow

**For tube throttle model:** Insert the elbow to the flexible pipe. Attach the cable holder between the hose band and the flexible pipe. Tighten the cable holder, flexible pipe and elbow with the hose band. Set the control cable onto the cable holder, and close the cable holder.



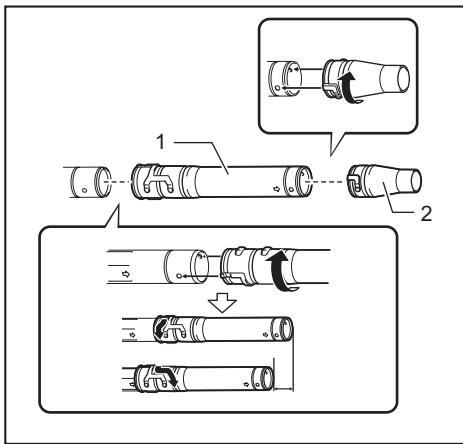
- 1. Elbow 2. Cable holder 3. Hose band



- 1. Cable holder 2. Control cable

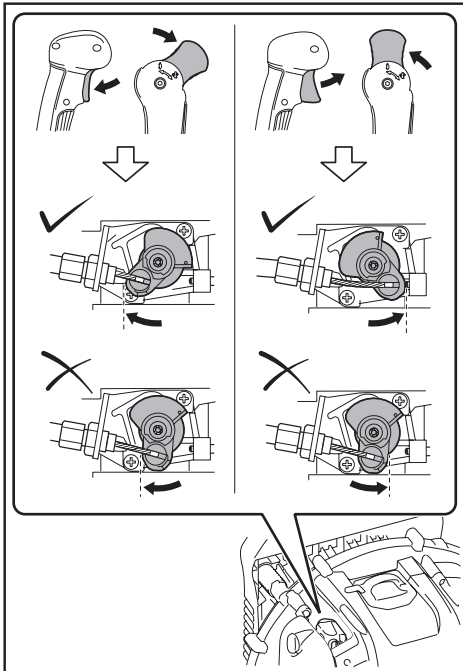
**For hip throttle model:** Insert the elbow to the flexible pipe. Tighten the flexible pipe and the elbow with the hose band.

5. Attach the long/short pipe to the swivel pipe. Turn the long/short pipe clockwise to lock it into place. Then attach the blower nozzle with the long/short pipe. Turn the blower nozzle clockwise to lock it into place.



► 1. Long/short pipe 2. Blower nozzle

6. Make sure all clamps are tight. Check if the throttle valve moves correctly along with the throttle movement.



If the throttle cannot be fully pulled or the throttle does not return to the correct position, refer to the MAINTENANCE section for throttle valve adjustment.

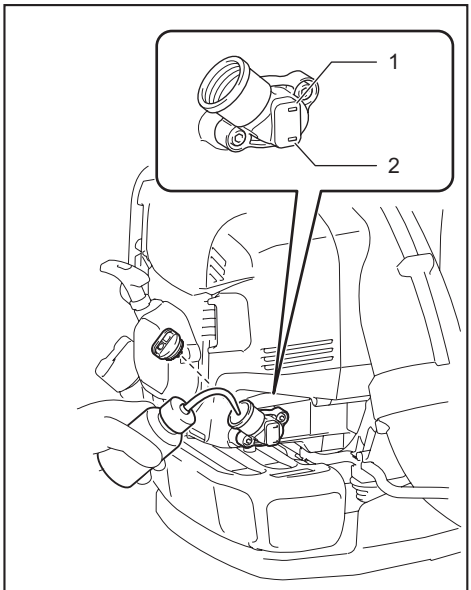
## BEFORE STARTING THE ENGINE

### Checking and refill of engine oil

**CAUTION:** When refilling with engine oil, stop the engine and wait for the engine to cool down. Otherwise skin burn may result.

**NOTICE:** Use of deteriorated oil will cause irregular start-up.

**NOTICE:** Remove dust or dirt near the oil refill port before detaching the oil cap. Also, keep the detached oil cap free of sand or dust. Otherwise, any sand or dust adhering to the oil cap may cause irregular oil circulation or wear on the engine parts, which will result in troubles.



► 1. Upper limit mark 2. Lower limit mark

### Inspection

Put the blower on a flat surface and remove the oil cap.

Make sure that the oil level is within the upper and lower limit marks. If the oil is not up to the lower limit, fill up with new oil.

Change the oil whenever it becomes dirty or significantly changes color. (Refer to "Replacing engine oil" for the oil change procedure and frequency.)

## Refill

Put the blower on a flat surface and remove the oil cap.

Fill the oil up to the upper limit of the oil level gauge.

On average, engine oil needs to be added after every 20 hours of operation (every 10 – 15 refuellings).

## Recommended oil

- Makita genuine 4-stroke engine oil or
- API grade SF class or higher, SAE 10W-30 oil (automobile 4-stroke engine oil)

## Oil capacity

Oil capacity: approximately 140 ml (4.7 fl oz)

**NOTICE: Store the blower in an upright position on flat surface.** The oil gauge does not indicate correct amount of oil if the blower is leaned and oil is flown into the engine. It may result in filling too much oil.

**NOTICE: Do not fill with excessive oil.** Excessive oil may spill from the breather of the air cleaner and make surrounding parts dirty, or white smoke may appear due to burning oil.

## After refilling with oil

Wipe spilled oil with a rag.

## Fuel supply

**WARNING:** When refuelling, stop the engine and wait for the engine to cool down. Otherwise ignition, fire, or skin burn may result.

**WARNING:** Fuel supply must be made in a place free of fire to prevent ignition or fire. Never bring the fire (smoking, etc.) near the place of fuel supply.

**WARNING:** Refuel on flat surface. Do not refuel on unstable place. Refuel in good light and visibility.

**WARNING:** Open the fuel tank cap slowly. The fuel may be spilled out by internal pressure.

**WARNING:** Take care not to spill the fuel. Wipe spilled fuel.

**WARNING:** Carry out fuel supply in a well-ventilated place.

**WARNING:** Refuel at open clear place.

**WARNING:** Handle the fuel with care.

**CAUTION:** Fuel sticking to the skin or entering an eye may cause allergies or irritation. **When any physical abnormality is detected, consult the medical specialist immediately.**

**NOTICE: DO NOT put oil in the fuel tank.**

## Fuel

**WARNING:** Keep the machine and tank at a cool place free from direct sunshine.

**WARNING:** Never keep the fuel in a car.

The engine is a four-stroke engine. Be sure to use an automobile gasoline. Be sure to use an unleaded automobile gasoline 87 or higher octane ((R+M)/2). It may contain no more than 10% alcohol (E-10). Otherwise it may cause poor performance and damage the engine.

**NOTICE: Never use gasoline mixed with any oil such as 2 stroke oil or motor oil.** Otherwise, it causes excessive carbon accumulation or mechanical troubles.

**NOTE: Keep fuel in a special container in a well-ventilated and shaded area. Use fuel within a period of 4 weeks.** Otherwise, fuel may deteriorate in one day.

## Refuelling method

**CAUTION:** If there is any flaw or damage on the tank cap, replace it.

**CAUTION:** The tank cap wears out in course of time. **Replace it every two to three years.**

**NOTICE: DO NOT put fuel in the oil fill port.**

1. Loosen the tank cap a little to release the tank pressure.
2. Detach the tank cap, and refuel, with discharging air by tilting the fuel tank so that the refuel port is oriented upward. **DO NOT** fill fuel up to the top of the tank.
3. After refuelling, securely tighten the tank cap.

# OPERATION

## Starting the engine

**⚠ WARNING:** Never attempt engine start in a place where the fuel has been supplied. It may cause ignition or fire. When starting the engine, keep a distance of at least 3 meters from fuelling place.

**⚠ WARNING:** Exhaust gas from the engine is toxic. Do not operate the engine in a poorly-ventilated place, such as in a tunnel, building, etc. Operating the engine in the poorly-ventilated place may cause poisoning by exhaust gas.

**⚠ WARNING:** In case of detection of any abnormality in sound, odor, vibration after starting, stop the engine immediately and carry out inspection. If the engine is operated without attending such abnormality, an accident may occur.

**⚠ WARNING:** Do not touch hot engine cover. Otherwise skin burn may result.

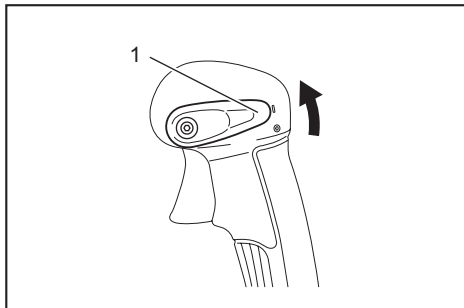
**⚠ WARNING:** Make sure that there is no fuel leakage before starting the engine.

**⚠ WARNING:** Make sure that the engine stops when the stop switch is set to "O" position.

### When the engine is cold or after refuelling (cold start)

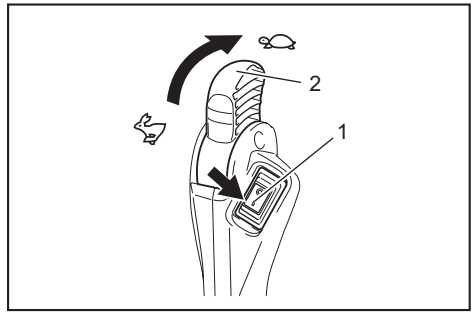
1. Put the blower on a flat surface.
2. I / O position

**For tube throttle model:** Set the stop control lever to "I" position.



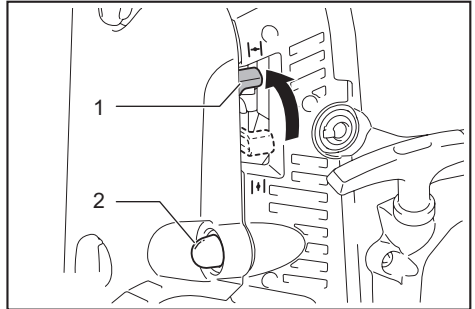
- 1. Stop control lever

**For hip throttle model:** Set the stop switch to "I" position. And make sure that the throttle lever is set to low speed position.



- 1. Stop switch 2. Throttle lever

3. Continue to push the primer pump until fuel comes into the primer pump.

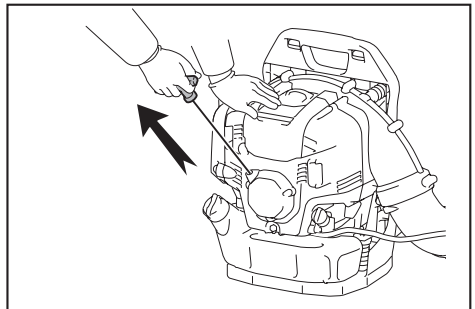


- 1. Choke lever 2. Primer pump

**NOTE:** In general, fuel comes into the carburetor by 7 to 10 pushes.

**NOTE:** Even the primer pump is pushed excessively, an excess of gasoline returns to the fuel tank.

4. Lift the choke lever to the closed position.
5. Put your left hand on the top of the blower and pull the starter handle slowly with your right hand until you feel the compression. Then pull the starter handle strongly.

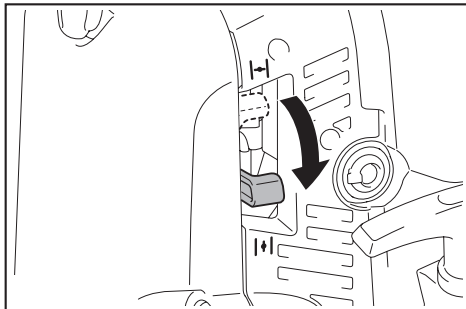


**NOTICE:** Never pull the rope to the full extension.

**NOTICE:** Return the starter knob gently into the housing. Otherwise released starter knob may hit your body or it may not rewind appropriately.

**NOTE:** If the engine fires and stops, return the choke lever to the "OPEN" position and pull the starter handle several times to start the engine again.

6. When the engine starts, down the choke lever to open position.



**NOTE:** Open the choke lever fully before pulling the throttle.

**NOTE:** In cold temperature or when the engine is not warm enough, never open the choke lever suddenly. Otherwise, the engine may stop.

7. Warm-up for 2 to 3 minutes with engine speed idle or low.  
8. Warm-up is complete when quick engine acceleration from low rpm to full throttle is felt.

**NOTE:** If the operator keeps pulling the starter handle several times with the choke lever left in the "CLOSE" position, the engine may be difficult to start because of flooding of the fuel. In case of flooding of the fuel, remove the spark plug and pull the handle several times rapidly to discharge any excess fuel. Dry the spark plug electrode.

## When the engine is warm (warm start)

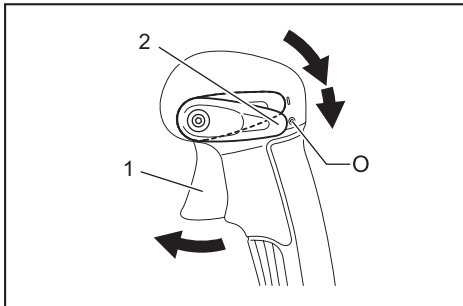
**CAUTION:** Be careful not to burn your hand. Wear gloves when you start the engine.

1. Put the blower on a flat surface.
2. Push the primer pump several times.
3. Make sure that the choke lever is open.

4. Put your left hand on the top of the blower and pull the starter handle slowly with your right hand until you feel the compression. Then pull the starter handle strongly.

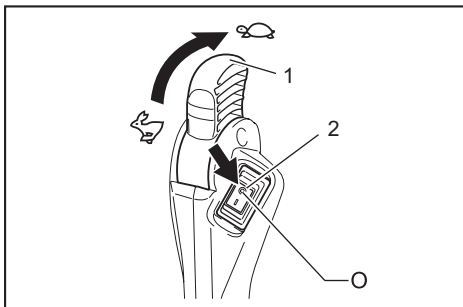
## Stopping the engine

**For tube throttle model:** Release the throttle trigger and then set the stop control lever to "O" position.



- 1. Throttle trigger 2. Stop control lever

**For hip throttle model:** Set the throttle lever to the low speed position to reduce the engine speed. Then set the stop switch to "O" position.



- 1. Throttle lever 2. Stop switch

## Prevention from carburetor icing

**NOTICE:** When environmental temperature is higher than 10°C (50°F), always return the lever to normal (sun mark) setting. Otherwise the engine may be damaged by overheating.

When the environmental temperature is low and humidity is high, water vapor may freeze inside the carburetor and the engine drives unsteadily (carburetor icing). Change the setting of the anti-icing lever as follows if necessary.

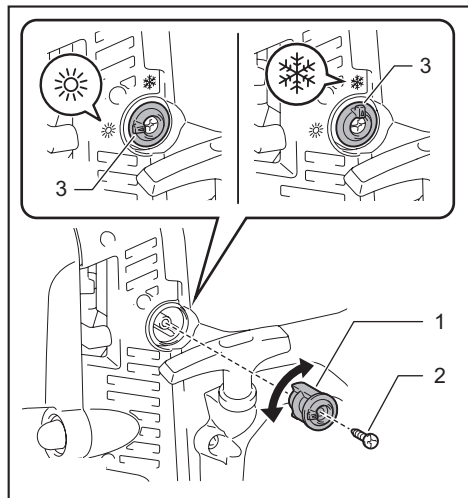
1. Remove the screw and pull out the anti-icing lever.
2. Insert the anti-icing lever as follows:

### Warmer environment than than 10°C (50°F)

Set the nub to the sun mark (warmer position).

### 10°C (50°F) or colder environment

Set the nub to the the snow mark (anti-icing position).



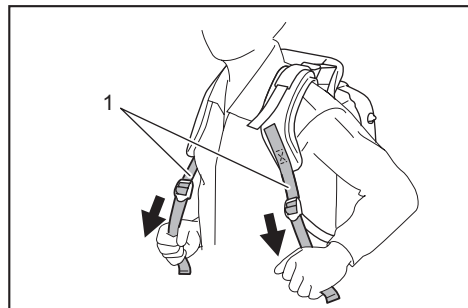
► 1. Anti-icing lever 2. Screw 3. Nub

3. Tighten the screw.

## Adjusting shoulder strap

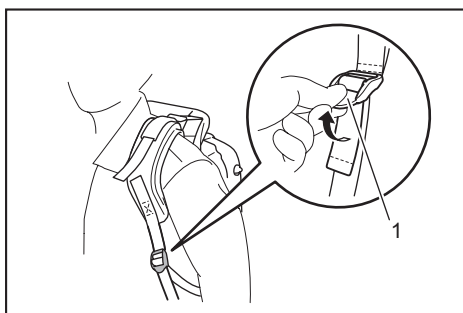
1. Adjust the shoulder strap to a length that is comfortable to work while carrying the blower.

To tighten the strap, pull the end of the strap downwards.



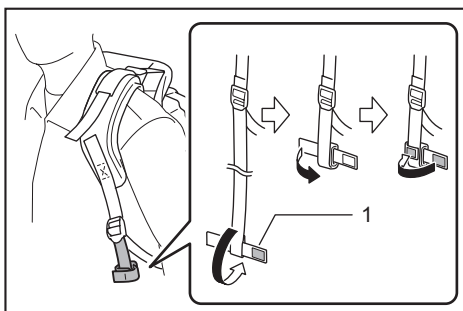
► 1. Shoulder strap

To loosen the strap, pull up the end of the fastener.



► 1. Fastener

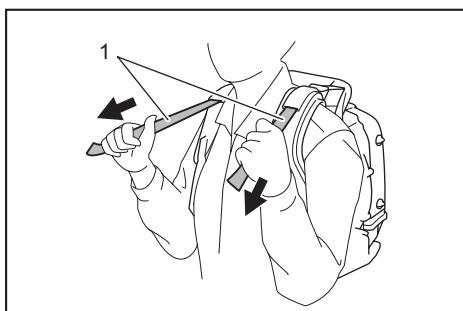
Roll up the end of the strap and hold it with the band.



► 1. Band

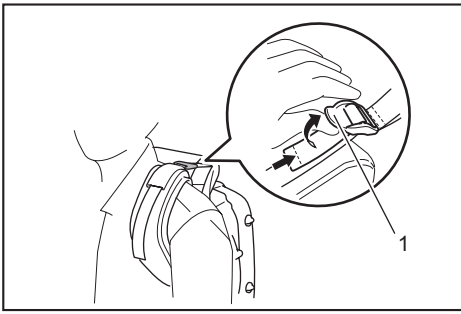
2. Pull the stabilizer strap until there are no space left between your back and the blower housing.

To fasten the strap, pull the end of the strap downwards.



► 1. Stabilizer strap

To loosen the strap, pull up the end of the fastener.

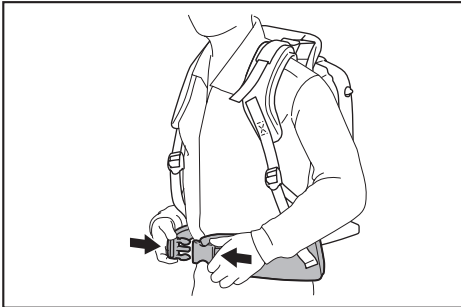


► 1. Fastener

## Hip belt

### Optional accessory

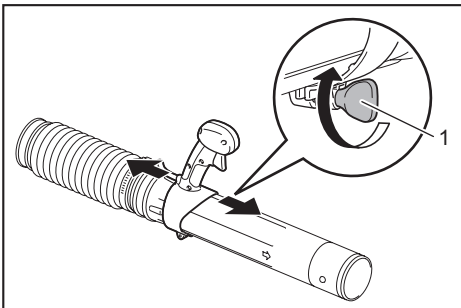
The hip belt enables the operator to carry the tool more stably.



**⚠ CAUTION:** Make sure to release the hip belt buckle before unloading the blower.

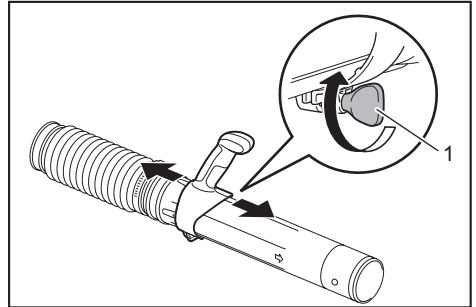
## Adjusting the control lever position

**For tube throttle model:** Move the control handle along the swivel pipe to the most comfortable position. Then tighten the control handle with the clamp screw.



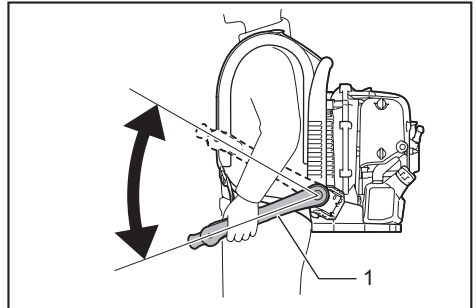
► 1. Clamp screw

**For hip throttle model:** Move the handle assembly along the swivel pipe to the most comfortable position. Then tighten the handle with the clamp screw.



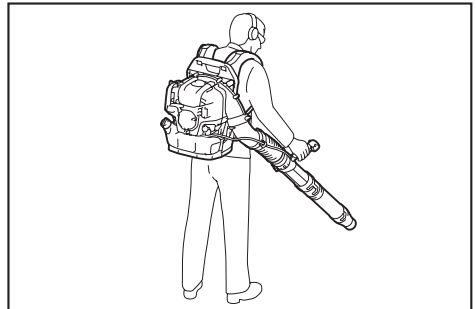
► 1. Clamp screw

Adjust the angle of the control arm.



► 1. Control arm

## Blower Operation

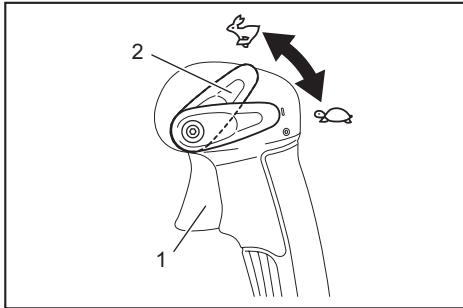


1. While operating the blower, adjust the throttle trigger / throttle lever so that the wind force is appropriate for the work location and conditions.
2. Adjusting engine speed.

**For tube throttle model:** Engine speed increases by pulling the throttle trigger. To decrease the engine speed, loosen the throttle trigger.

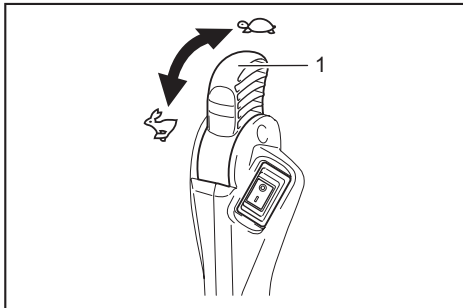


The cruise control function allows the operator to maintain a constant engine speed without pulling the trigger lever. To increase the engine speed, turn the stop control lever to high speed. To decrease the engine speed, turn the stop control lever to low speed.



► 1. Throttle trigger 2. Stop control lever

**For hip throttle model:** To increase the engine speed, turn the throttle lever to high speed. To decrease the engine speed, turn the throttle lever to low speed.



► 1. Throttle lever

## Transporting the blower

**CAUTION:** When transporting the blower, be sure to stop the engine.

**NOTICE:** Do not sit or stand on the blower or put a heavy object on it. It may damage the machine.

**NOTICE:** Maintain the blower in an upright position whenever transporting or storing. Transporting or storing in a position that is not upright may cause oil to spill inside the blower engine. This may result in oil leaks and white smoke from burning oil, and the air cleaner may become dirty with oil.

**NOTICE:** Do not drag the blower when transporting. Otherwise the blower housing may be damaged.

## MAINTENANCE

**CAUTION:** Before inspection and maintenance, stop the engine and allow it to cool down. Remove the spark plug and plug cap. Otherwise the operator may suffer burn or serious injury due to an accidental start-up.

**CAUTION:** After inspection and maintenance, make sure that all parts are assembled.

## Replacing engine oil

**CAUTION:** The engine main unit and engine oil still remain hot just after the engine is stopped. When replacing engine oil, make sure that the engine main unit and engine oil are sufficiently cooled down. Otherwise, there may remain a risk of scald. Allow sufficient time after stopping engine for the engine oil to return to the oil tank to ensure accurate reading of the oil amount.

**CAUTION:** If the oil filled above the limit, it may become dirty or may catch fire with white smoke.

**NOTICE:** Never discard replaced engine oil in garbage, ground or sewage. Disposal of oil is regulated by law. In disposal, always follow the relevant laws and regulations. For any points remaining unknown, contact Authorized Service Agent.

**NOTICE:** Oil will deteriorate even when it is kept unused. Perform inspection and replacement at regular intervals (replace with new oil every 6 months).

Deteriorated engine oil shortens the life of the sliding and rotating parts to a great extent. Be sure to check the period and quantity of replacement.

## Interval of replacement

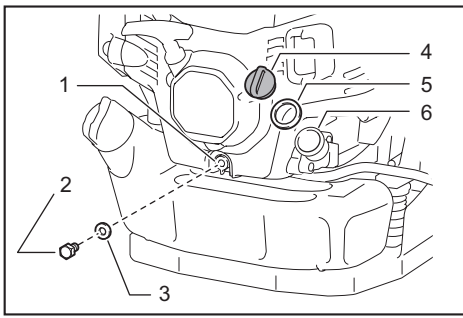
After first 20 operating hours, followed by every 50 operating hours

## Recommended oil

- Makita genuine 4-stroke engine oil or
- API grade SF class or higher, SAE 10W-30 oil (automobile 4-stroke engine oil)

## Oil replacement procedure

Change the oil as follows:



- 1. Drainage hole 2. Oil drain bolt 3. Gasket (aluminum washer) 4. Oil cap 5. Oil cap gasket 6. Oil port

1. Put the blower down on a level surface.
2. Put a waste oil container under the drainage hole to catch the oil as it drains out. The container should have a capacity of at least 140 ml (4.7 fl oz) to catch all of the oil.
3. Loosen the oil drain bolt to let the oil drain out. Be careful not to allow oil to get on the fuel tank or other parts.

**NOTICE:** Be careful not to lose the gasket (aluminum washer). Put the oil drain bolt in a location where it does not get dirt.

4. Remove the oil cap. (Removing the oil cap allows the oil to drain easily.)

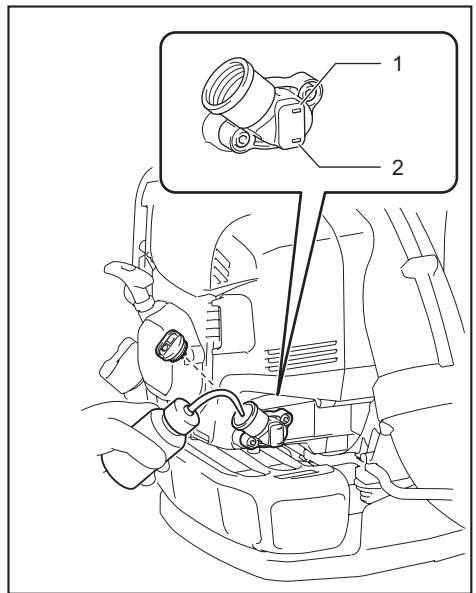
**NOTICE:** Be sure to set the oil cap down in a location where it does not get dirt.

5. As the level of the oil being drained decreases, tilt the blower over on to the side with the drain so that the oil will completely drain out.

6. After the oil has completely drained out, tighten the oil drain bolt securely. If the bolt is not tightly fastened, it may result in oil leakage.

**NOTICE:** Do not forget to put the gasket (aluminum washer) back on when reattaching the drain plug.

7. Pour approximately 140 ml (4.7 fl oz) oil into the oil refill port up to the upper limit of the oil gauge.



- 1. Upper limit mark 2. Lower limit mark

8. After filling with oil, tighten the oil cap securely to prevent oil leaks.

**NOTICE:** Do not forget to put the oil cap gasket back on when reattaching the oil cap.

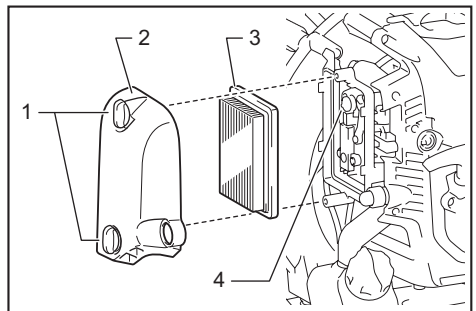
## Cleaning of air cleaner

**WARNING:** INFLAMMABLES STRICTLY PROHIBITED

## Interval of Cleaning and Inspection

Daily (every 10 operating hours)

## Cleaning procedure



- 1. Knob bolts 2. Air cleaner cover 3. Element 4. Breather

1. Loosen the knob bolts.

2. Remove the air cleaner cover.
3. Remove the element and clean off any dirt from the element with a cloth or air blow. Replace the element with a new one if it is damaged or very dirty.

**NOTE:** The element is a dry type and should not get wet. Never wash with water.

4. Wipe off any oil around the breather with a rag or cloth.
5. Install the element in the air cleaner case.
6. Attach the air cleaner cover and tighten the knob bolts.

**NOTICE:** Clean the element several times a day, if excessive dust adheres to it due to dusty environment.

**NOTICE:** If operation continues with the element remaining not cleared of oil, oil in the air cleaner may fall outside, resulting in oil contamination.

### Checking the spark plug

**CAUTION:** Do not touch the spark plug while the engine is running. Otherwise electrical shock may result.

**CAUTION:** Set the stop control lever/ stop switch to OFF "O" position.

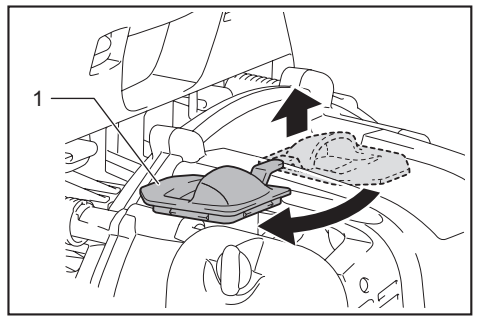
**CAUTION:** Check the spark plug cord regularly. If it is damaged or torn, replace it. Otherwise electrical shock may result.

**NOTICE:** When removing the spark plug, clean the spark plug and cylinder head first, so that no dirt, sand, etc will enter the cylinder.

**NOTICE:** Remove the spark plug after the engine has cooled down in order to avoid damaging the threaded hole in the cylinder.

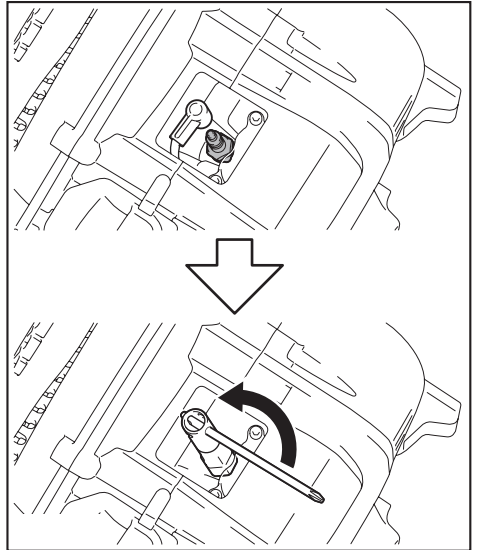
**NOTICE:** Install the spark plug properly into the threaded hole. If installed at an angle, the threaded hole in the cylinder will get damaged.

1. To open the plug cover, lift it and make a half turn of it.



- ▶ 1. Plug cover

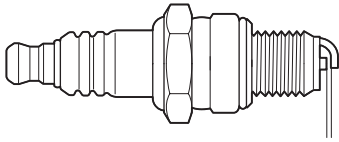
2. Use the box wrench provided as a standard accessory to remove and install the spark plug.



3. The appropriate clearance between two electrodes of spark plug is 0.7 to 0.8 mm (0.028" to 0.031"). Adjust to the correct clearance when it is too wide or too narrow.

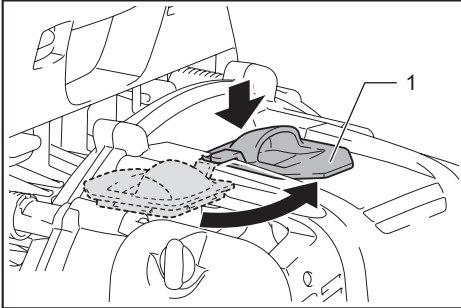
Clean thoroughly or replace the spark plug if it has accumulated carbon or contaminated.

For replacement, use NGK CMR6H.



0.7 mm – 0.8 mm (0.028" – 0.031")

4. To close the plug cover, make a half turn of it, and press around the dented part.



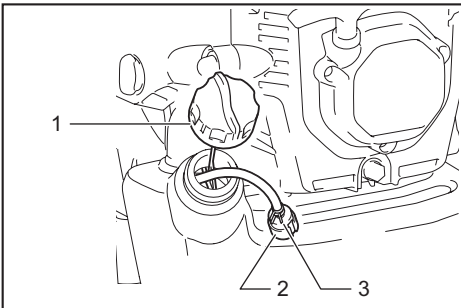
- ▶ 1. Plug cover

## Cleaning the fuel filter

**CAUTION:** Make sure there is no damage on the fuel tank. If there are any damage on the fuel tank, ask authorized service center immediately for repair.

**NOTICE:** Clean the fuel filter regularly. Clogged fuel filter may cause difficulty of start-up or failure of engine speed increase.

Check the fuel filter regularly as follows:



- ▶ 1. Fuel tank cap 2. Fuel filter 3. Hose clamp

1. Remove the fuel tank cap, drain the fuel to empty the tank. Check the tank inside for any foreign materials. If any, wipe clean such materials.
2. Pull out the fuel filter with wire through the fuel filling port.
3. If the fuel filter surface is contaminated, clean it with gasoline.

**NOTICE:** Follow the method specified by each local authority for disposing the gasoline used for cleaning the fuel filter.

**NOTICE:** Replace the fuel filter if it is excessively contaminated.

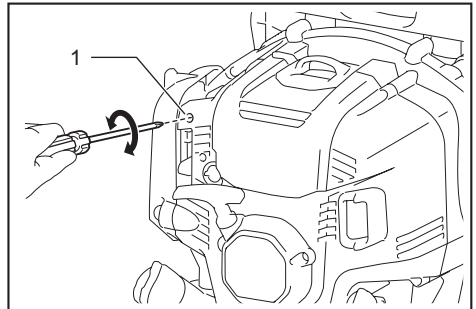
4. After checking, cleaning or replacing, insert the fuel filter into the fuel pipe and fix it with the hose clamp. Reset the fuel filter in the fuel tank and tighten firmly the fuel tank cap.

## Adjustment of idling speed

**CAUTION:** The carburetor is factory adjusted. Never adjust other than idling speed. For other adjustments, ask your authorized service center.

Appropriate low-speed rotation is 2,800 min<sup>-1</sup> (rpm).

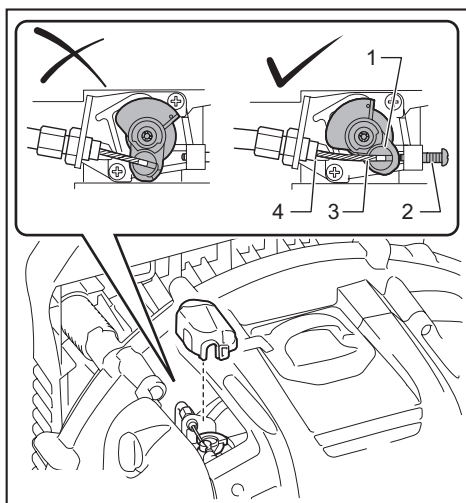
If it is necessary to change the rotation speed, adjust the idle speed with a Phillips screwdriver. If the engine stops or runs unsteadily at idle, turn the adjusting screw to the right, and the idling speed increases. If the machine blows too strong at idle, turn the adjusting screw to the left, and the idling speed drops.



- ▶ 1. Idling adjusting screw

## Checking throttle valve

If the control cable is bent or caught, the throttle valve does not contact with the idle adjusting screw, and it prevents the engine from proper idling. In such a case, reposition the control cable to ensure proper valve movement.

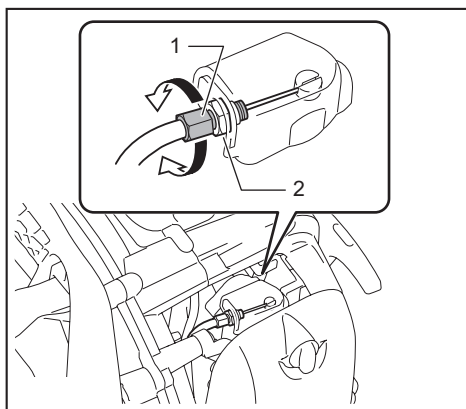


- 1. Throttle valve 2. Idling adjusting screw  
3. Control cable 4. Throttle valve stopper

If the throttle valve does not touch the throttle valve stopper even you pull the throttle trigger fully or if the throttle valve does not touch the idling adjusting screw while idling, turn the cable adjusting bolt as follows:

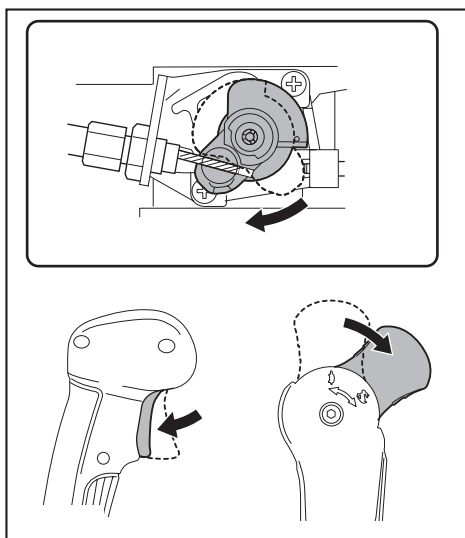
1. Loosen the fixing nut.
2. If the throttle valve does not touch the throttle valve stopper, turn the cable adjusting bolt counterclockwise.

If the throttle valve does not touch the idling adjusting screw, turn the cable adjusting bolt clockwise.



- 1. Cable adjusting bolt 2. Fixing nut

3. Tighten the fixing nut to fasten the cable adjusting bolt.
4. Check the movement of the throttle valve. The throttle valve comes to the position as illustrated when the throttle trigger/lever is pulled/turned.

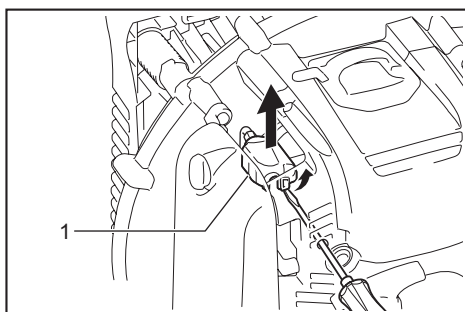


### Cleaning carburetor cover

If the carburetor cover gets dirty and it is difficult to check the throttle valve, clean the carburetor cover as follows:

**NOTICE:** Never use gasoline, benzine, thinner, alcohol or the like for cleaning the carburetor cover. Otherwise it may be tarnished.

1. Pass a slotted screwdriver through the hole on the engine cover. Release the clamp of the carburetor cover.



- 1. Carburetor cover

2. Clean the carburetor cover.

**NOTICE:** Use wet clean cloth for cleaning the carburetor cover.

3. Return the carburetor cover. Make sure the clamp of the carburetor cover clicks when it is set in place.

## Inspecting bolts, nuts and screws and other parts

Retighten loose bolts, nuts, etc.

Check for fuel and oil leakage.

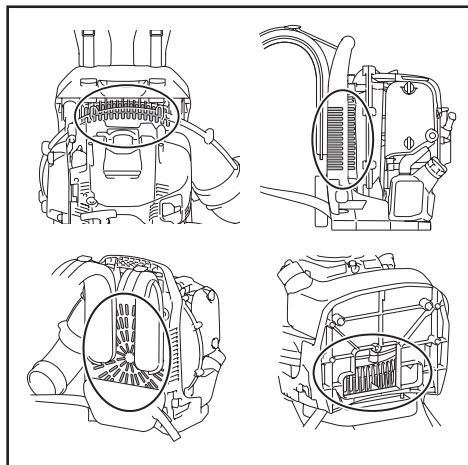
Replace damaged parts with new ones for safety operation.

## Cleaning engine, cooling air inlet

Keep engine clean by wiping down with a cloth rag.

Keep the cylinder fins free of dust or dirt. Dust or dirt adhering to the fins may cause engine overheating and piston seizure.

Blowing air is taken in from the air inlet vent. When airflow drops down during operation, stop engine and inspect the air inlet vent for any blockages. Clean it if necessary. Such a blockage may cause overheating and damage the engine.



## Replacing gaskets and packings

Replace gaskets and packings if the engine is disassembled.

Any maintenance or adjustment work that is not included and described in this manual is only to be performed by Authorized Service Agent.

## Storage

**⚠ WARNING:** When draining the fuel, stop the engine and wait for the engine to cool down. Failure to do so may cause burns or fire.

**⚠ CAUTION:** When you store the machine for a long time, drain all fuel from the fuel tank and carburetor, and keep it at a dry and clean place.

Drain fuel from the fuel tank and carburetor before storing the machine as follows:

1. Remove the fuel tank cap, and drain fuel completely. If there is any foreign materials remaining in the fuel tank, remove it completely.
2. Pull out the fuel filter from the refill port using a wire.
3. Push the primer pump until fuel is drained from there, and drain fuel coming into the fuel tank.
4. Reset the filter to the fuel tank, and securely tighten the fuel tank cap.
5. Then, continue to operate the engine until it stops.
6. Remove the spark plug, and drip several drops of engine oil through the spark plug hole.
7. Gently pull the starter handle so that engine oil will spread over the engine, and attach the spark plug.
8. Keep the machine with its carry handle upside.
9. Keep the drained fuel in a special container in a well-ventilated shade.

## Fault location

Fault	System	Observation	Cause
Engine not starting or with difficulty	Ignition system	Ignition sparks.	Fault in fuel supply or compression system, mechanical defect.
		No ignition sparks.	STOP-switch operated, wiring fault or short circuit, spark plug or connector defective, ignition module faulty.
	Fuel supply	Fuel tank filled.	Incorrect choke position, carburetor defective, fuel supply line bent or blocked, fuel dirty.
	Compression	No compression when pulled over.	Cylinder bottom gasket defective, crankshaft seals damaged, cylinder or piston rings defective or improper sealing of spark plug.
	Mechanical fault	Starter not engaging.	Broken starter spring, broken parts inside of the engine.
Warm start problems	-	Tank filled. Ignition sparks.	Carburetor contaminated, have it cleaned.
Engine starts but dies	Fuel supply	Tank filled.	Incorrect idling adjustment, carburetor contaminated.
			Fuel tank vent defective, fuel supply line interrupted, cable or STOP-switch faulty.
Insufficient performance	Several systems may simultaneously be affected	Engine idling poor.	Air filter contaminated, carburetor contaminated, muffler clogged, exhaust duct in the cylinder clogged.

## Interval of inspection and maintenance

		Before operation	After fuelling	Daily (10h)	50h	200h	600h or 2 years whichever earlier	Before storage
Engine oil	Inspect / refill	○	-	-	-	-	-	-
	Replace	-	-	-	○ (Note1)	-	-	-
Tightening parts (bolt, nut)	Inspect	○	-	-	-	-	-	-

-		Before operation	After fuelling	Daily (10h)	50h	200h	600h or 2 years whichever earlier	Before storage
Cooling air inlet	Clean / inspect	○	-	-	-	-	-	-
Fuel tank	Clean / inspect	○	-	-	-	-	-	-
	Drain fuel	-	-	-	-	-	-	○ (Note3)
Throttle trigger / throttle lever	Check function	-	○	-	-	-	-	-
Stopping the engine	Check function	-	○	-	-	-	-	-
Adjustment of idling speed	Inspect / adjust	-	○	-	-	-	-	-
Air cleaner	Clean	-	-	○	-	-	-	-
	Inspect / replace if necessary	-	-	-	-	○	-	-
Control cable	Inspect / adjust	-	-	○	-	-	-	-
	Inspect / replace if necessary	-	-	-	-	○ (Note2)	-	-
Spark plug	Inspect / adjust gap if necessary	-	-	○	-	-	-	-
	Clean / replace if necessary	-	-	-	-	○	-	-
Plug cord	Inspect / replace if necessary	-	-	-	-	○ (Note2)	-	-
Fuel pipe	Inspect	-	-	○	-	-	-	-
	Replace	-	-	-	-	○ (Note2)	-	-
Fuel filter	Clean / replace if necessary	-	-	-	○	-	-	-
Oil tube	Inspect	-	-	-	-	○ (Note2)	-	-
Valve clearance (intake valve and exhaust valve)	Inspect / adjust	-	-	-	-	○ (Note2)	-	-



-		Before operation	After fuelling	Daily (10h)	50h	200h	600h or 2 years whichever earlier	Before storage
Muffler	Inspect / clean	-	-	-	-	○ (Note2)	-	-
Combustion chamber / valve / port	Inspect / clean	-	-	-	-	○ (Note2)	-	-
Engine	Overhaul	-	-	-	-	-	○ (Note2)	-
Carburetor	Drain fuel	-	-	-	-	-	-	○ (Note3)

Note1: Perform initial replacement after 20h operation.

Note2: For inspection, request Authorized Service Agent or a machine shop.

Note3: After emptying the fuel tank, continue to run the engine and drain fuel in the carburetor.

## TROUBLESHOOTING

Before asking for repairs, conduct your own inspection first. If you find a problem that is not explained in the manual, do not attempt to dismantle the tool. Instead, ask Makita Authorized Service Centers, always using Makita replacement parts for repairs.

State of abnormality	Probable cause (malfunction)	Remedy
Engine does not start.	Failure to operate primer pump.	Push 7 to 10 times.
	Low pulling speed of starter rope.	Pull strongly.
	Lack of fuel.	Feed fuel.
	Clogged fuel filter.	Clean the fuel filter or replace with new one.
	Bent fuel tube.	Straighten the fuel tube.
	Deteriorated fuel.	Deteriorated fuel makes starting more difficult. Replace with new one. (Recommended replacement: 1 month)
	Excessive suction of fuel.	Set throttle lever from medium speed to high speed, and pull starter handle until engine starts. If engine will not start still, remove spark plug, make electrode dry, and reassemble them as they originally are. Then, start as specified.
	Detached plug cap.	Attach securely.
	Contaminated spark plug.	Clean the spark plug.
	Abnormal clearance of spark plug.	Adjust clearance.
	Other abnormality of spark plug.	Replace the spark plug.
	Abnormal carburetor.	Ask our authorized service center to inspect and repair it.
	Cannot pull the starter knob.	Ask our authorized service center to inspect and repair it.
Engine internal parts problem.	Ask our authorized service center to inspect and repair it.	

<b>State of abnormality</b>	<b>Probable cause (malfunction)</b>	<b>Remedy</b>
Engine stops soon. Engine speed does not increase.	Insufficient warm-up.	Perform warm-up operation.
	Choke lever is set to "CLOSE" although engine is warmed up.	Set to "OPEN".
	Clogged fuel filter.	Clean the fuel filter.
	Contaminated or clogged air cleaner.	Clean the air filter.
	Detached control cable.	Attach the control cable securely.
	Engine internal parts problem.	Ask our authorized service center to inspect and repair it.
Throttle does not return to idling speed.	Inproper throttle valve position.	Reposition the control cable. Adjust the throttle valve position by turning the cable adjusting bolt.
Engine does not stop. ⇒ Run engine at idling, and set choke lever to "CLOSE".	Detached connector.	Attach the connector securely.
	Abnormal electric system.	Ask our authorized service center to inspect and repair it.

## TABLE DES MATIÈRES

SPÉCIFICATIONS .....	27	AVANT DE DÉMARRER LE MOTEUR.....	36
IMPORTANTES CONSIGNES DE SÉCURITÉ.....	28	UTILISATION .....	38
DESCRIPTION DES PIÈCES .....	33	ENTRETIEN .....	43
ASSEMBLAGE .....	35	DÉPANNAGE .....	53








## SPÉCIFICATIONS

Modèle :		EB5300TH	EB5300WH
Type d'accélérateur		Accélérateur monté sur tube	Accélérateur monté sur hanche
Poids à sec	sans tube de souffleur / avec coussinet	19,7 lbs (8,9 kg)	20,1 lbs (9,1 kg)
	avec tube de souffleur	21,7 lbs - 22,2 lbs (9,8 kg - 10,0 kg)	22,3 lbs - 22,8 lbs (10,1 kg - 10,3 kg)
Dimensions (L x P x H, sans tube de souffleur)		12-5/8" x 17-3/4" x 18-3/4" (320 mm x 450 mm x 475 mm)	12-5/8" x 20" x 18-3/4" (320 mm x 510 mm x 475 mm)
Vitesse de l'air	(avec long tube et buse circulaire)	182 MPH (81 m/s)	
	(avec court tube et buse circulaire)	184 MPH (82 m/s)	
Débit d'air	(avec long tube et buse circulaire)	512 pi <sup>3</sup> /min (15 m <sup>3</sup> /minute)	
	(avec court tube et buse circulaire)	516 pi <sup>3</sup> /min (15 m <sup>3</sup> /minute)	
Vitesse maximale du moteur		6 400 tr/min	
Vitesse de ralenti		2 800 tr/min	
Cylindrée du moteur		1,78 fl oz (52,5 cm <sup>3</sup> )	
Type de moteur		Monocylindre à 4 temps à refroidissement par air	
Carburant		Essence à automobile	
Capacité du réservoir à carburant		60,9 fl oz (1 800 cm <sup>3</sup> )	
Huile à moteur		Huile SAE 10W-30 de la classification API, classe SF ou supérieure (huile à moteur à quatre temps pour automobile)	
Volume d'huile à moteur		4,7 fl oz (140 cm <sup>3</sup> )	
Carburateur		Type de diaphragme	
Bougie d'allumage		NGK CMR6H	
Distance entre électrodes		0,028" - 0,031" (0,7 mm - 0,8 mm)	

- Étant donné l'évolution constante de notre programme de recherche et de développement, les spécifications contenues dans ce manuel sont sujettes à modification sans préavis.
- Les spécifications peuvent varier suivant les pays.
- Le poids peut varier suivant les accessoires.
- (Pour le Canada) NOTE : Ce système d'allumage par étincelles est conforme à la norme canadienne NMB-002.

## Symboles

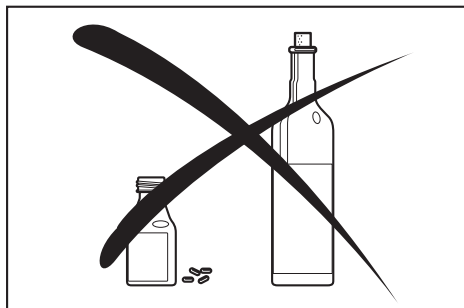
Les symboles utilisés pour l'équipement sont indiqués ci-après. Vous devez avoir compris leur signification avant l'utilisation.

	Soyez tout particulièrement prudent et attentif.
	Lisez le manuel d'instructions.
	Interdit !
	Interdiction de fumer.
	Flamme nue interdite.
	Portez des gants de protection.
	Porter des protections pour les yeux et les oreilles.
	Surfaces chaudes - Brûlures aux doigts ou aux mains.
	Ne pas laisser approcher les personnes présentes.
	Ne laissez pénétrer personne, ni aucun animal domestique, dans la zone de travail.
	Carburant (essence)
	Démarrage manuel du moteur.
	Couper le moteur.
	Premiers soins
	Mise sous tension / Démarrage
	Mise hors tension / Arrêt
	Les cheveux longs peuvent s'empêtrer et causer un accident.

## IMPORTANTES CONSIGNES DE SÉCURITÉ

### Généralités

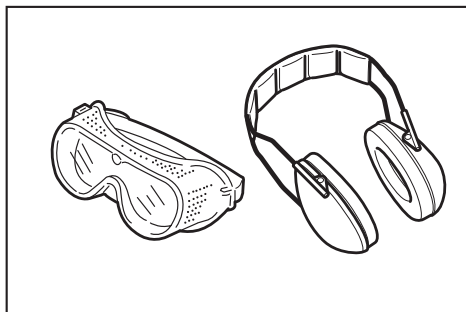
1. Pour assurer un fonctionnement adéquat et sécuritaire, l'utilisateur doit lire, comprendre et suivre les instructions de ce manuel, afin de se familiariser avec la manipulation du souffleur. Les utilisateurs mal informés risquent, par une manipulation inadéquate, de se blesser ou de blesser d'autres personnes.
2. Il est recommandé de ne prêter ce souffleur qu'à des personnes ayant déjà de l'expérience avec les souffleurs.
3. Lorsque vous prêtez le souffleur, remettez aussi sans faute le manuel d'instructions.
4. Si vous n'avez jamais utilisé un souffleur, demandez au détaillant des instructions de base pour vous familiariser avec sa manipulation.
5. Les enfants et les jeunes de moins de 18 ans ne doivent pas être autorisés à utiliser le souffleur. Les jeunes de 16 ans et plus peuvent toutefois apprendre à se servir de l'outil, mais uniquement sous la surveillance directe d'une personne qualifiée.
6. Soyez toujours très prudent et attentif lorsque vous utilisez le souffleur.
7. N'utilisez le souffleur que si vous êtes en bonne condition physique.
8. Effectuez tout travail de manière consciencieuse et prudente. L'utilisateur est aussi responsable de la sécurité des autres personnes.
9. N'utilisez jamais le souffleur après avoir consommé de l'alcool ou une drogue.



10. N'utilisez jamais cet appareil lorsque vous êtes fatigué.
11. Conservez ces instructions pour consultation ultérieure.

12. Suivez toutes les consignes pertinentes de prévention des accidents émises par les associations commerciales et compagnies d'assurance. N'apportez aucune modification au souffleur, au risque de compromettre votre sécurité.
13. N'effectuez jamais de modifications sur l'appareil. Cela peut entraîner des accidents graves ou des blessures.

## Dispositifs de protection personnelle



1. Les vêtements portés doivent être fonctionnels et adéquats, c'est-à-dire bien ajustés au corps sans pour autant gêner les mouvements. Évitez les bijoux, vêtements ou cheveux longs, car ils peuvent être happés par l'entrée d'air.
2. Pour éviter toute blessure à la tête, aux yeux, aux mains et aux pieds, ainsi que pour protéger votre ouïe, portez les dispositifs et vêtements de protection suivants pendant l'utilisation du souffleur.
3. Les vêtements doivent être résistants et moulants, tout en laissant une pleine liberté de mouvement. Évitez les vestes amples, les pantalons à pattes d'éléphant ou à revers, les écharpes, les cheveux longs non attachés, ou tout ce qui pourrait être happé par l'entrée d'air. Portez une salopette ou un pantalon long pour protéger vos jambes. Ne portez pas de pantalon court.

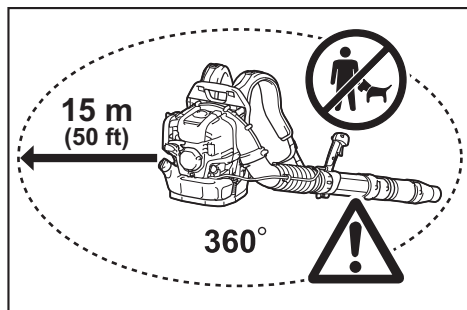
4. Les appareils à moteur sont généralement bruyants et peuvent endommager l'ouïe. Portez des écrans antibruit (bouchons d'oreilles ou casque antibruit) pour protéger votre ouïe. En cas d'utilisation prolongée ou régulière, passez régulièrement un examen auditif.
5. Il est recommandé de porter des gants pour travailler avec le souffleur. Portez des chaussures résistantes à semelles antidérapantes.
6. Une protection adéquate des yeux est obligatoire. Même si l'évacuation ne se fait pas vers l'utilisateur, des ricochets et des rebonds peuvent se produire pendant l'utilisation du souffleur.
7. N'utilisez jamais un souffleur sans porter des lunettes à coques ou des lunettes de sécurité bien ajustées et dotées de protections adéquates sur le dessus et sur les côtés, conformément à la norme ANSI Z87.1 et aux règlements en vigueur dans votre pays.
8. Pour réduire les risques de blessure associés à l'inhalation des poussières, portez un masque filtrant dans des conditions poussiéreuses.

## Usage prévu

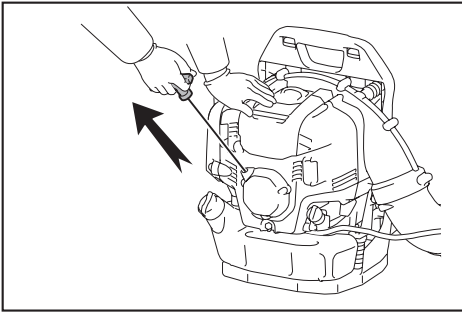
L'outil est conçu pour souffler les poussières.

## Démarrage du souffleur

1. Écartez les enfants, personnes présentes et animaux domestiques de la zone de travail. Gardez tous les enfants, personnes présentes et animaux domestiques à l'extérieur d'un rayon minimal de 15 m (50 pi) ; à l'extérieur de cette zone de 15 m (50 pi), les objets projetés peuvent encore causer des blessures. Les personnes présentes doivent être incitées à porter une protection des yeux. Si quelqu'un s'approche de vous, coupez le moteur.



2. Avant l'utilisation, assurez-vous du fonctionnement sécuritaire du souffleur :
  - Vérifiez la sécurité du levier d'accélérateur. Le levier d'accélérateur doit fonctionner facilement et sans à-coups.
  - Assurez-vous que le verrou du levier d'accélérateur fonctionne bien.
  - Assurez-vous que les poignées sont propres et sèches, et vérifiez le fonctionnement de l'interrupteur d'alimentation. Gardez les poignées exemptes d'huile et de carburant.
3. Ne démarrez le souffleur que de manière conforme aux instructions. N'utilisez aucune autre méthode pour démarrer le moteur.

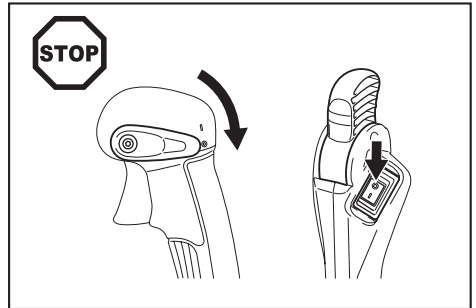


4. N'utilisez le souffleur et les accessoires fournis que pour les applications spécifiées.
5. Ne démarrez le moteur du souffleur qu'une fois l'outil entièrement monté. L'outil ne peut être utilisé qu'après avoir posé tous les accessoires adéquats.
6. Le moteur doit être coupé dès qu'un problème de moteur se manifeste.
7. Lorsque vous utilisez le souffleur, saisissez toujours fermement la poignée de contrôle, de sorte qu'elle repose entre le pouce et l'index. Maintenez la main dans cette position pour garder la maîtrise de l'outil en tout temps. Assurez-vous que la poignée de contrôle est en bon état et exempte d'humidité, de résine, d'huile ou de graisse.
8. Assurez-vous toujours d'avoir une prise au sol sûre et bien équilibrée.
9. Portez le souffleur correctement sur les deux épaules pendant l'utilisation. Ne portez pas le souffleur qu'avec une seule bandoulière. Autrement il y a risque de blessure.
10. Utilisez le souffleur de manière à ne pas inhaler les gaz d'échappement. Ne faites jamais tourner le moteur dans une pièce fermée (il y a un risque de suffocation et d'intoxication par les gaz). Le monoxyde de carbone est un gaz inodore. Assurez-vous toujours que la ventilation est adéquate.

11. Avant de faire une pause ou de laisser le souffleur sans surveillance, coupez le moteur. Mettez-le dans un emplacement sûr pour éviter qu'il ne mette les autres personnes en danger, qu'il ne mette le feu à des matières combustibles ou qu'il ne subisse des dommages.
12. Ne posez jamais le souffleur chaud sur de l'herbe sèche ou toute matière combustible.
13. Tous les protecteurs et autres pièces protectrices qui accompagnent la machine doivent être en place pendant l'utilisation.
14. Ne faites jamais tourner le moteur si le silencieux d'échappement est défectueux.

## Transport

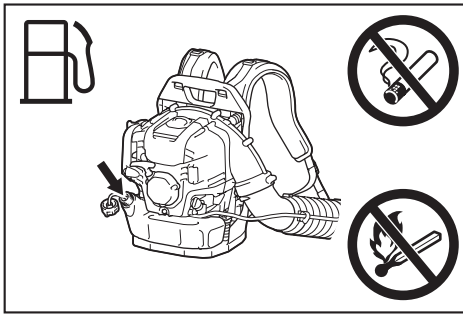
1. Coupez le moteur pendant le transport.



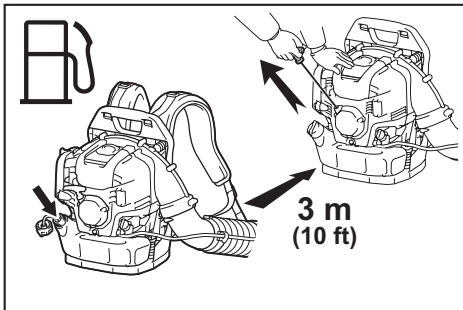
2. Pour éviter toute fuite de carburant lorsque vous transportez le souffleur dans une automobile ou un camion, placez-le de manière sécuritaire.
3. Lorsque vous transportez le souffleur, assurez-vous que le réservoir à carburant est complètement vide.
4. Lorsque vous transportez le souffleur, soulevez-le en le saisissant par sa poignée de transport. Ne traînez pas le souffleur par la buse, le tube ou autre pièce.
5. Tenez le souffleur fermement pendant son transport.
6. Pour transporter le souffleur, pliez les genoux et prenez garde de vous blesser aux épaules et au bas du dos.

## Ravitaillement

1. Coupez le moteur avant le ravitaillement, restez à l'écart de toute flamme nue et ne fumez pas.



2. Évitez tout contact de la peau avec les produits pétroliers. Ne respirez pas les vapeurs de carburant. Portez toujours des gants de protection pendant le ravitaillement. À intervalles réguliers, changez de vêtements de protection et lavez-les.
3. Pour éviter de contaminer le sol, prenez garde de renverser le carburant ou l'huile (protection de l'environnement). Si du carburant est renversé sur le souffleur, essuyez-le immédiatement. Faites toujours sécher les chiffons avant de les jeter dans un conteneur approprié et couvert, pour éviter tout risque de combustion spontanée.
4. Évitez tout contact de vos vêtements avec le carburant. Changez immédiatement de vêtements si vous renversez du carburant dessus (risque d'incendie).
5. Vérifiez régulièrement le bouchon du réservoir à carburant, pour vous assurer qu'il reste bien fermé.
6. Serrez soigneusement le bouchon du réservoir à carburant. Pour démarrer le moteur, éloignez-vous (à 3 mètres (10 pi) au moins de l'emplacement où vous avez fait le ravitaillement).



7. Ne faites jamais le ravitaillement dans une pièce fermée. Les vapeurs de carburant s'accablent au niveau du sol (risque d'explosion).

8. N'utilisez que des contenants approuvés pour transporter et ranger le carburant. Assurez-vous que le carburant rangé n'est pas accessible aux enfants.
9. N'essayez pas de faire le ravitaillement pendant que le moteur est chaud ou pendant qu'il tourne.
10. Ne faites pas le ravitaillement au-delà de la quantité définie sous « SPÉCIFICATIONS ».

## Mode opératoire

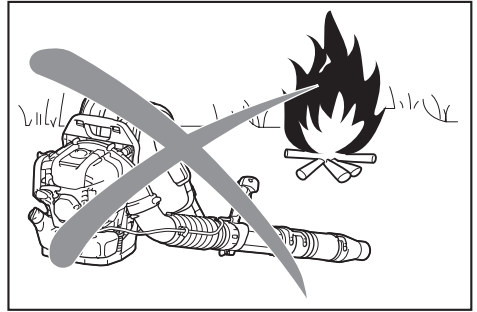
1. N'utilisez le souffleur que si les conditions d'éclairage et de visibilité sont bonnes. Prenez garde aux sols glissants, mouillés, glacés ou enneigés (vous risquez de glisser), et aux espaces étroits. Assurez-vous toujours d'avoir une bonne prise au sol.
2. N'effectuez jamais le travail sur une surface instable ou une pente abrupte.
3. Ne montez pas sur une échelle ou autre emplacement élevé pour faire le travail. Autrement vous risquez de vous blesser.
4. Pour réduire le risque de blessure, n'orientez pas directement le jet d'air vers les personnes présentes ; la pression d'air élevée peut blesser les yeux ou projeter les petits objets à très grande vitesse.
5. N'insérez jamais de corps étrangers dans l'entrée d'air ou dans la buse du souffleur. Cela endommagerait la roue de ventilateur et peut blesser sérieusement l'utilisateur ou les personnes présentes si un objet ou une pièce cassée se trouve éjecté à grande vitesse.
6. Tenez compte de la direction du vent, de façon à ne pas travailler contre le vent.
7. Pour éviter de trébucher et de perdre le contrôle de la machine, ne l'utilisez pas en marchant à reculons.
8. Coupez toujours le moteur avant d'effectuer le nettoyage ou l'entretien de l'appareil, ou avant de remplacer des pièces.
9. Prenez des pauses pour éviter toute perte de contrôle causée par la fatigue. Il est recommandé de prendre une pause de 10 à 20 minutes toutes les heures.
10. Gardez toutes les parties du corps à l'écart des surfaces chaudes.
11. Lors de l'utilisation de l'appareil, évitez de souffler les débris vers des personnes, des animaux domestiques, des fenêtres ouvertes ou des automobiles.

12. Pour limiter l'influence physique des vibrations et/ou les dommages à l'ouïe, utilisez la machine à vitesse basse lorsque possible, et limitez la durée d'utilisation.
13. N'utilisez la machine qu'à des heures raisonnables. N'utilisez pas le souffleur tôt le matin ou tard le soir, afin de ne pas déranger les gens. Respectez les heures indiquées dans la réglementation locale.
14. Avant d'utiliser le souffleur, il est recommandé de séparer les débris à l'aide d'un râteau ou d'un balai.
15. Avant d'utiliser le souffleur, humectez les surfaces dans des conditions poussiéreuses ou utilisez un atomiseur d'eau si nécessaire.
16. Économisez l'eau en utilisant le souffleur plutôt qu'un boyau d'eau pour diverses applications de pelouses et jardins, y compris dans les zones de gouttières, moustiquaires, patios, grilles, vérandas et jardins.
17. Ajustez la longueur de la buse du souffleur de sorte que le flux d'air jaillisse près du sol.
18. Pour réduire le niveau sonore, limitez le nombre d'appareils utilisés en même temps.
19. Après l'utilisation des souffleurs et autres appareils, **NETTOYEZ-LES !** Jetez les débris dans des contenants à déchets.
20. N'accélérez pas le moteur plus que nécessaire. Les objets éjectés peuvent causer des blessures.
21. Le silencieux d'échappement devient chaud pendant l'utilisation. Ne touchez pas le silencieux d'échappement chaud, autrement vous risquez de vous brûler la peau.
22. N'utilisez pas la machine dans des atmosphères explosives, telles que celles qui contiennent des liquides, gaz ou poussières inflammables. Cette machine fait des étincelles qui peuvent allumer les poussières ou vapeurs.

## Instructions de maintenance

1. Respectez l'environnement. Faites le moins possible de bruit et de pollution en utilisant le souffleur. Vérifiez tout particulièrement le réglage du carburateur.
2. Nettoyez le souffleur régulièrement et assurez-vous que toutes les vis et tous les écrous sont bien serrés.

3. N'effectuez jamais l'entretien ou le rangement du souffleur à proximité de flammes nues, d'étincelles, etc.



4. Rangez toujours le souffleur dans une pièce verrouillée et bien aérée, en prenant soin de vider d'abord complètement le réservoir à carburant.
5. Les travaux de maintenance ou de réparation à effectuer par l'utilisateur se limitent à ceux décrits dans le présent manuel d'instructions. Tout autre travail doit être effectué par des représentants autorisés.
6. Utilisez uniquement des pièces de rechange et accessoires d'origine fournis par Makita. L'utilisation d'accessoires et d'outils non approuvés comporte un risque d'accidents et de blessures. Makita décline toute responsabilité en cas d'accident ou de dommage provoqué par l'utilisation de pièces ou d'accessoires non approuvés.
7. Une réparation inadéquate ou une mauvaise maintenance peut raccourcir la durée de service de l'appareil et accroître les risques d'accident.

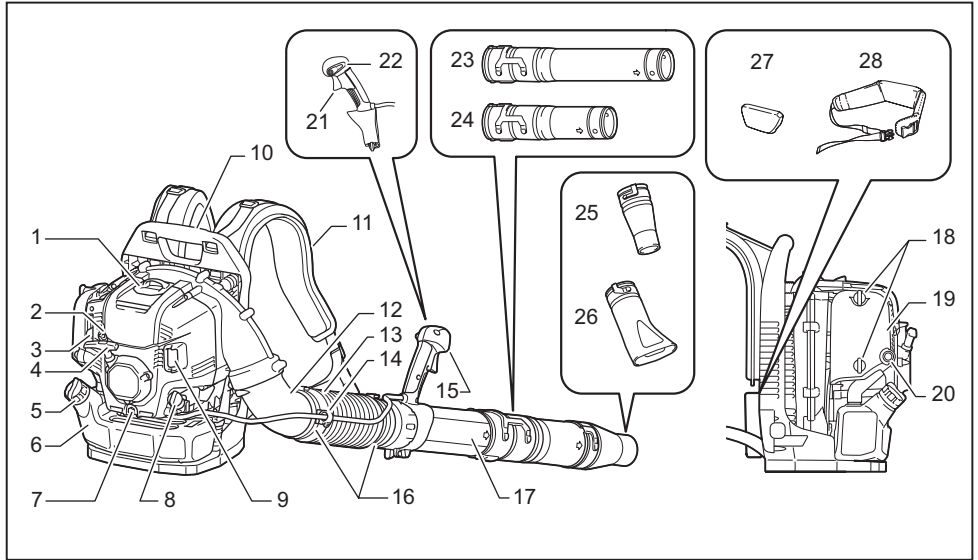
## Premiers soins

1. Veillez à avoir toujours à portée de la main une trousse de premiers soins complète, en cas d'accident. Remplacez immédiatement tout élément utilisé de la trousse de premiers soins.
2. Au moment de demander de l'aide, veuillez fournir les renseignements suivants :
  - Le lieu de l'accident
  - Ce qui s'est produit
  - Le nombre de blessés
  - La nature de la blessure
  - Votre nom



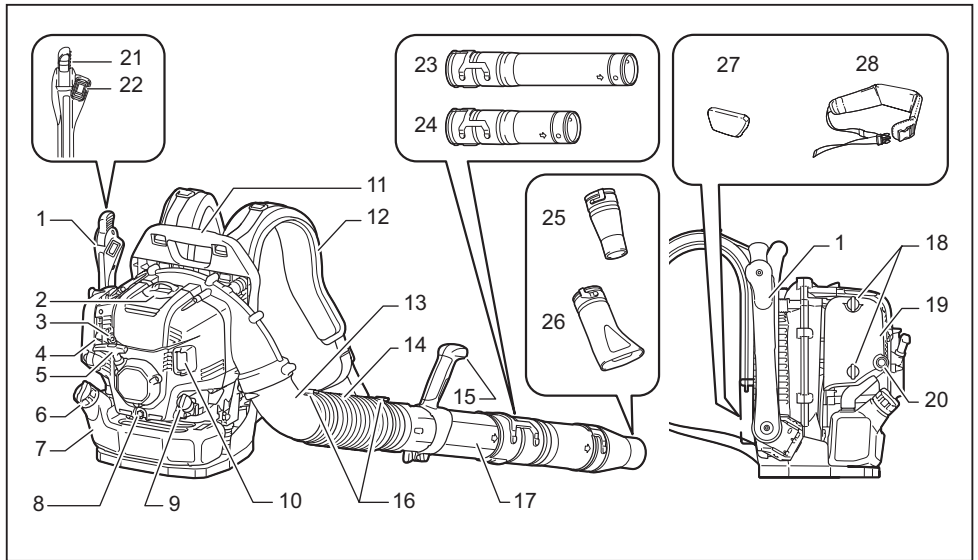
# DESCRIPTION DES PIÈCES

EB5300TH



1	Capot de bougie	9	Silencieux	17	Tube pivotant	25	Buse circulaire
2	Levier antigivrage	10	Poignée de transport	18	Bouton de boulonnage (du couvercle de filtre à air)	26	Buse plate (accessoire en option)
3	Levier d'étranglement	11	Bandoulière	19	Couvercle de filtre à air	27	Coussinet (accessoire en option)
4	Poignée de démarreur	12	Coude	20	Pompe d'amorçage	28	Ceinture de hanches (accessoire en option)
5	Bouchon du réservoir à carburant	13	Tube flexible	21	Gâchette d'accélérateur	-	-
6	Réservoir à carburant	14	Porte-câble	22	Levier de commande d'arrêt	-	-
7	Boulon de vidange d'huile	15	Poignée de contrôle	23	Long tube (accessoire en option)	-	-
8	Bouchon à huile	16	Collier de serrage	24	Court tube (accessoire en option)	-	-

- Les accessoires standard peuvent varier d'un pays à l'autre.



1	Bras de contrôle	9	Bouchon à huile	17	Tube pivotant	25	Buse circulaire
2	Capot de bougie	10	Silencieux	18	Bouton de boulonnage (du couvercle de filtre à air)	26	Buse plate (accessoire en option)
3	Levier antigivrage	11	Poignée de transport	19	Couvercle de filtre à air	27	Coussinet (accessoire en option)
4	Levier d'étranglement	12	Bandoulière	20	Pompe d'amorçage	28	Ceinture de hanches (accessoire en option)
5	Poignée de démarreur	13	Coude	21	Levier d'accélérateur	-	-
6	Bouchon du réservoir à carburant	14	Tube flexible	22	Interrupteur d'arrêt	-	-
7	Réservoir à carburant	15	Ensemble poignée	23	Long tube (accessoire en option)	-	-
8	Boulon de vidange d'huile	16	Collier de serrage	24	Court tube (accessoire en option)	-	-

- Les accessoires standard peuvent varier d'un pays à l'autre.

# ASSEMBLAGE

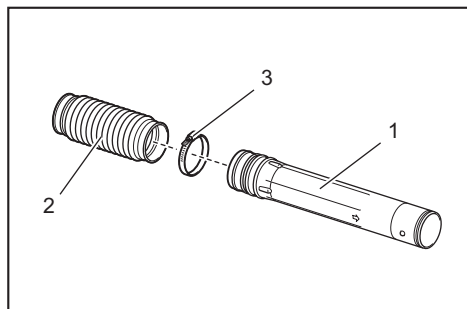
**⚠ ATTENTION :** Avant d'effectuer tout travail sur le souffleur, coupez toujours le moteur et tirez sur le capuchon de bougie d'allumage pour le déconnecter.

**⚠ ATTENTION :** Ne démarrez le souffleur qu'après l'avoir complètement monté.

**⚠ ATTENTION :** Portez toujours des gants de protection.

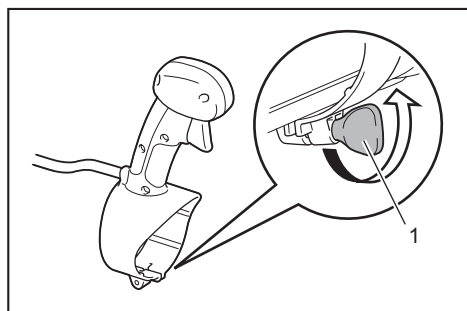
## Montage des tubes du souffleur

1. Insérez le tube pivotant dans le tube flexible et serrez-les avec le collier de serrage.



- ▶ 1. Tube pivotant 2. Tube flexible 3. Collier de serrage

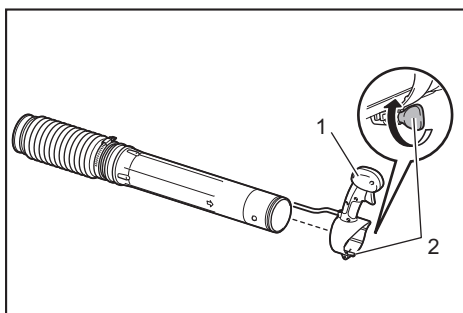
2. Desserrez et retirez la vis de raccord.



- ▶ 1. Vis de raccord

Pour le modèle à accélérateur monté sur tube, prenez garde de tordre le câble de la poignée de contrôle en la fixant au tube pivotant.

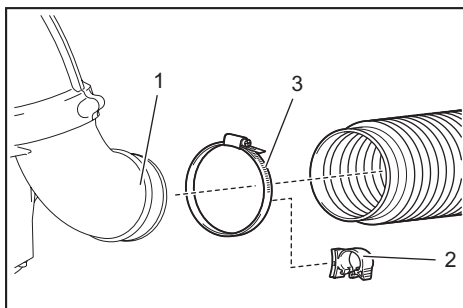
3. Installez la poignée de contrôle / ensemble poignée sur le tube pivotant et serrez-les avec la vis de raccord.



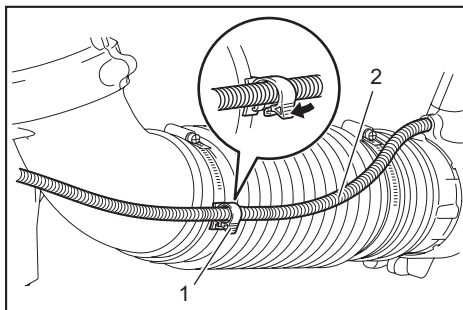
- ▶ 1. Poignée de contrôle / Ensemble poignée
2. Vis de raccord

4. Fixez le tube flexible au coude.

**Pour le modèle à accélérateur monté sur tube :** Insérez le coude sur le tube flexible. Fixez le porte-câble entre le collier de serrage et le tube flexible. Serrez le porte-câble, le tube flexible et le coude avec le collier de serrage. Posez le câble de contrôle sur le porte-câble, et fermez le porte-câble.



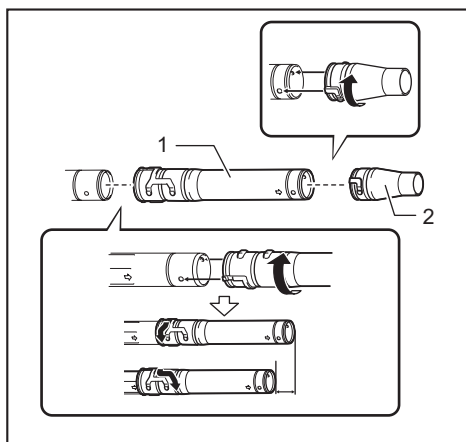
- ▶ 1. Coude 2. Porte-câble 3. Collier de serrage



- ▶ 1. Porte-câble 2. Câble de contrôle

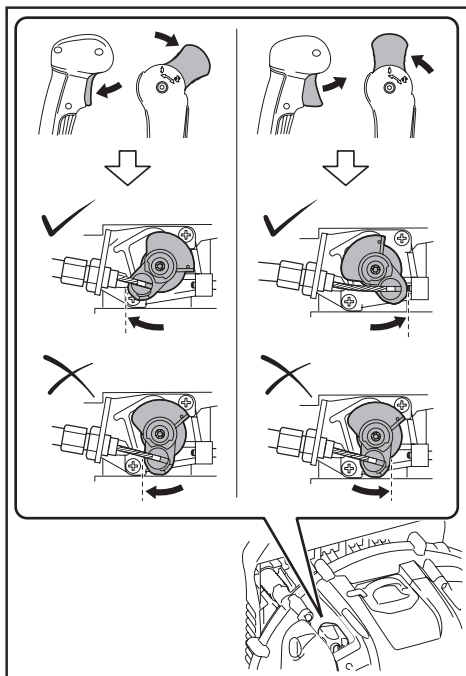
**Pour le modèle à accélérateur monté sur hanche :** Insérez le coude sur le tube flexible. Serrez le tube flexible et le coude avec le collier de serrage.

5. Fixez le tube long/court au tube pivotant. Tournez le tube long/court en sens horaire pour le verrouiller en place. Fixez ensuite la buse du souffleur au tube long/court. Tournez la buse du souffleur en sens horaire pour la verrouiller en place.



► 1. Tube long/court 2. Buse du souffleur

6. Assurez-vous que tous les colliers sont bien serrés. Vérifiez si la vanne d'accélérateur accompagne correctement le mouvement de l'accélérateur.



S'il n'est pas possible de tirer complètement sur l'accélérateur ou s'il ne revient pas sur la bonne position, reportez-vous à la section MAINTENANCE pour le réglage de la vanne d'accélérateur.

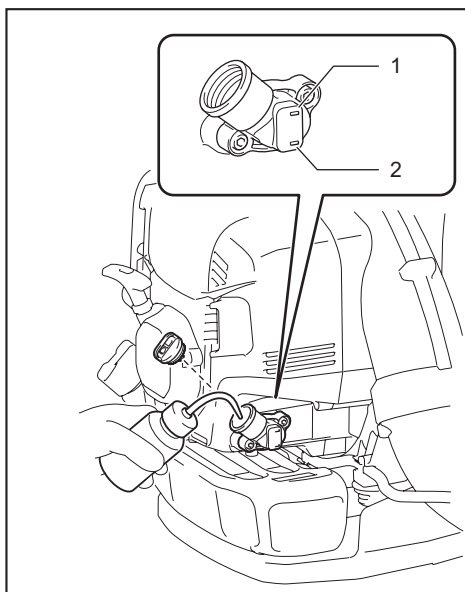
## AVANT DE DÉMARRER LE MOTEUR

### Vérification et remplissage d'huile à moteur

**ATTENTION** : Avant de remplir d'huile à moteur, coupez le moteur et attendez qu'il ait refroidi. Autrement vous risquez de vous brûler la peau.

**AVIS** : L'utilisation d'une huile détériorée causera des démarrages irréguliers.

**AVIS** : Essayez toute trace de poussière ou saleté près de l'orifice de ravitaillement d'huile avant de retirer le bouchon à huile. De plus, gardez le bouchon à huile retiré exempt de sable et de poussière. Autrement du sable ou de la poussière risque d'adhérer au bouchon à huile, ce qui peut rendre la circulation de l'huile irrégulière ou user les pièces du moteur et provoquer des dysfonctionnements.



► 1. Marque de limite supérieure 2. Marque de limite inférieure

## Inspection

Mettez le souffleur sur une surface plane et retirez le bouchon à huile.

Assurez-vous que le niveau d'huile est entre les marques de limite supérieure et inférieure. Si l'huile n'atteint pas la marque de limite inférieure, remplissez d'huile neuve.

Changez l'huile si elle devient sale ou change considérablement de couleur. (Reportez-vous à « Changement d'huile à moteur » pour connaître la procédure et la fréquence de changement d'huile.)

## Remplissage

Mettez le souffleur sur une surface plane et retirez le bouchon à huile.

Versez de l'huile jusqu'à la limite supérieure de la jauge de niveau d'huile.

En moyenne, il faut ajouter de l'huile à moteur toutes les 20 heures d'utilisation (après 10 à 15 pleins de carburant).

## Huile recommandée

- Huile à moteur 4 temps Makita authentique, ou
- Huile SAE 10W-30 de la classification API, classe SF ou supérieure (huile à moteur à quatre temps pour automobile)

## Capacité d'huile

Capacité d'huile : environ 140 ml (4,7 fl oz)

**AVIS : Rangez le souffleur à la verticale sur une surface plane.** La jauge d'huile n'indiquera pas la bonne quantité d'huile si le souffleur est incliné et que l'huile s'écoule dans le moteur. Vous risquez alors de verser trop d'huile.

**AVIS : Ne remplissez pas avec trop d'huile.** L'excès d'huile risquerait de se répandre par le reniflard du filtre et de salir les pièces contiguës, ou de brûler et dégager de la fumée blanche.

## Après le plein d'huile

Essayez l'huile renversée avec un chiffon.

## Alimentation en carburant

**⚠ MISE EN GARDE :** Avant le ravitaillement, coupez le moteur et attendez que le moteur ait refroidi. Autrement, il y a risque d'inflammation, d'incendie ou de brûlure à la peau.

**⚠ MISE EN GARDE :** L'alimentation en carburant doit être effectuée dans un emplacement où il n'y a pas de feu, pour éviter de déclencher une inflammation ou un incendie. N'apportez aucune source de feu (tabac allumé, etc.) près de l'emplacement d'alimentation en carburant.

**⚠ MISE EN GARDE :** Faites le ravitaillement sur une surface plane. Ne faites pas le ravitaillement sur une surface instable. Faites le ravitaillement dans de bonnes conditions d'éclairage et de visibilité.

**⚠ MISE EN GARDE :** Ouvrez doucement le bouchon du réservoir à carburant. Le carburant peut se répandre sous l'effet de la pression interne.

**⚠ MISE EN GARDE :** Évitez de répandre le carburant. Essayez tout carburant renversé.

**⚠ MISE EN GARDE :** Effectuez l'alimentation en carburant dans un emplacement bien aéré.

**⚠ MISE EN GARDE :** Faites le ravitaillement dans un espace découvert et dégagé.

**⚠ MISE EN GARDE :** Manipulez le carburant prudemment.

**⚠ ATTENTION :** En adhérant à la peau ou en pénétrant dans les yeux, le carburant peut causer une réaction allergique ou de l'irritation. Si vous constatez une anomalie physique, consultez immédiatement un médecin.

**AVIS : NE VERSEZ PAS d'huile dans le réservoir à carburant.**

## Carburant

**⚠ MISE EN GARDE :** Gardez le souffleur et le réservoir dans un emplacement frais non exposé directement au soleil.

**⚠ MISE EN GARDE :** Ne gardez jamais le carburant dans un véhicule.

Le moteur est à quatre temps. Veillez à utiliser de l'essence pour automobile. Veillez à utiliser de l'essence pour automobile sans plomb à indice d'octane 87 ou supérieur ((R+M)/2). Elle ne doit pas contenir plus de 10 % d'alcool (E-10). Autrement, cela peut causer un mauvais rendement et endommager le moteur.

**AVIS : N'utilisez jamais d'essence mélangée à une huile telle que l'huile pour moteur à 2 temps ou l'huile à moteur.** Autrement cela causera une accumulation excessive de carbone ou des problèmes mécaniques.

**NOTE : Gardez le carburant dans un contenant spécial rangé dans un emplacement bien aéré et à l'ombre. Utilisez le carburant à l'intérieur d'une période de 4 semaines.** Autrement, le carburant peut se détériorer en une journée.

## Méthode de ravitaillement

**ATTENTION :** Remplacez le bouchon du réservoir s'il comporte un défaut ou s'il est endommagé.

**ATTENTION :** Le bouchon du réservoir s'use avec le temps. Remplacez-le tous les deux ou trois ans.

**AVIS : NE VERSEZ PAS de carburant dans l'orifice de ravitaillement d'huile.**

1. Desserrez légèrement le bouchon du réservoir pour libérer la pression du réservoir.
2. Retirez le bouchon du réservoir, puis faites le ravitaillement en inclinant le réservoir à carburant de sorte que l'orifice de ravitaillement se trouve vers le haut pour laisser sortir l'air. NE REMPLISSEZ PAS le réservoir de carburant à ras bord.
3. Après le ravitaillement, serrez fermement le bouchon du réservoir.

# UTILISATION

## Démarrage du moteur

**MISE EN GARDE :** N'essayez jamais de faire démarrer le moteur à l'emplacement où a eu lieu le ravitaillement. Il y a risque d'inflammation ou d'incendie. Lorsque vous faites démarrer le moteur, restez à une distance d'au moins 3 mètres de l'emplacement où a eu lieu le ravitaillement.

**MISE EN GARDE :** Les gaz d'échappement du moteur sont toxiques. Ne faites pas tourner le moteur dans un emplacement mal aéré, tel qu'un tunnel, un édifice, etc. S'il tourne dans un emplacement mal aéré, le moteur peut entraîner l'intoxication par les gaz d'échappement.

**MISE EN GARDE :** Si vous constatez une anomalie de son, d'odeur ou de vibrations après le démarrage, coupez immédiatement le moteur et inspectez-le. Il y a risque d'accident si on laisse tourner le moteur en dépit d'une anomalie.

**MISE EN GARDE :** Ne touchez pas le couvercle du moteur quand il est chaud. Autrement vous risquez de vous brûler la peau.

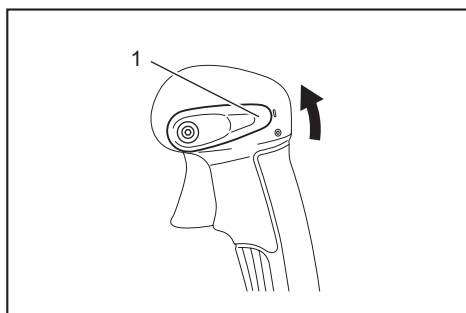
**MISE EN GARDE :** Avant de démarrer le moteur, assurez-vous qu'il n'y a pas de fuite de carburant.

**MISE EN GARDE :** Assurez-vous que le moteur s'arrête lorsque vous mettez l'interrupteur d'arrêt sur la position « O ».

## Lorsque le moteur est froid ou après le ravitaillement (démarrage à froid)

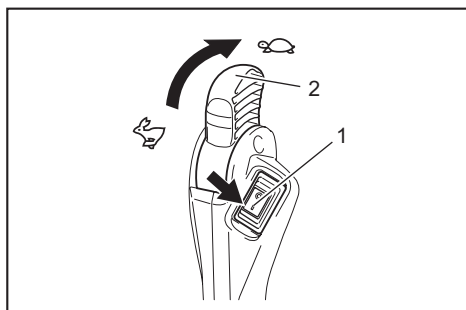
1. Mettez le souffleur sur une surface plane.
2. Position I / O

**Pour le modèle à accélérateur monté sur tube :** Mettez le levier de commande d'arrêt sur la position « I ».



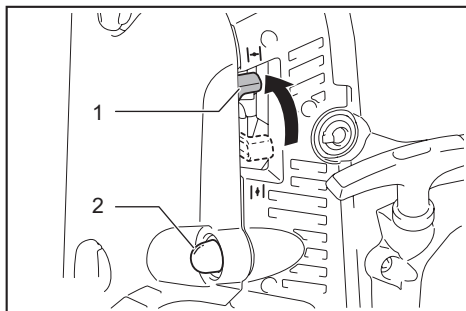
► 1. Levier de commande d'arrêt

**Pour le modèle à accélérateur monté sur hanche :** Mettez l'interrupteur d'arrêt sur la position « I ». Assurez-vous que le levier d'accélérateur est en position basse vitesse.



► 1. Interrupteur d'arrêt 2. Levier d'accélérateur

3. Appuyez sur la pompe d'amorçage jusqu'à ce que le carburant y pénètre.



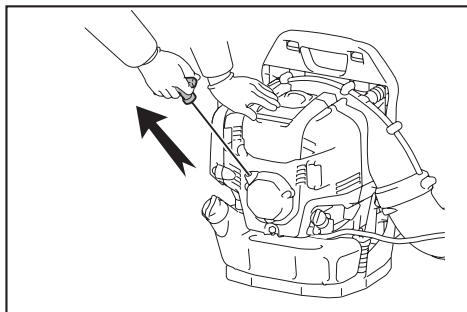
► 1. Levier d'étranglement 2. Pompe d'amorçage

**NOTE :** En général, le carburant pénètre dans le carburateur après 7 à 10 pressions.

**NOTE :** Même si vous appuyez trop sur la pompe d'amorçage, l'excès d'essence retournera dans le réservoir à carburant.

4. Soulevez le levier d'étranglement jusqu'en position fermée.

5. Mettez votre main gauche sur le dessus du souffleur et tirez lentement sur la poignée de démarreur avec votre main droite jusqu'à ce que vous sentiez la compression. Tirez ensuite puissamment sur la poignée de démarreur.

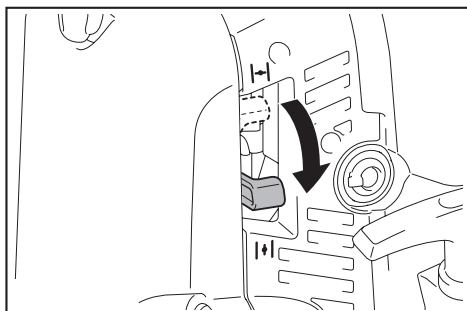


**AVIS :** Ne tirez jamais la corde complètement.

**AVIS :** Remettez doucement le bouton de démarreur dans le boîtier. Si vous libérez soudainement le bouton de démarreur, il risque de vous heurter et de ne pas se rembobiner correctement.

**NOTE :** Si le moteur s'allume et s'arrête, remettez le levier d'étranglement sur la position « ouverte » et tirez plusieurs fois sur la poignée de démarrage pour redémarrer le moteur.

6. Lorsque le moteur démarre, abaissez le levier d'étranglement en position ouverte.



**NOTE :** Ouvrez complètement le levier d'étranglement avant de tirer sur l'accélérateur.

**NOTE :** À basse température ou lorsque le moteur n'est pas assez réchauffé, n'ouvrez jamais le levier d'étranglement brusquement. Autrement le moteur risque de s'arrêter.

7. Laissez réchauffer le moteur au ralenti ou à vitesse basse pendant 2 ou 3 minutes.

8. Le réchauffement est terminé lorsque vous sentez que le moteur passe de faible régime à plein régime.

**NOTE : Si l'utilisateur continue de tirer plusieurs fois sur la poignée de démarrage avec le levier d'étranglement laissé sur la position « fermée », il se peut que le moteur démarre difficilement en raison de l'afflux excessif de carburant.** En cas d'afflux excessif de carburant, enlevez la bougie d'allumage et tirez rapidement sur la poignée à quelques reprises pour vidanger l'excès de carburant. Asséchez l'électrode de la bougie d'allumage.

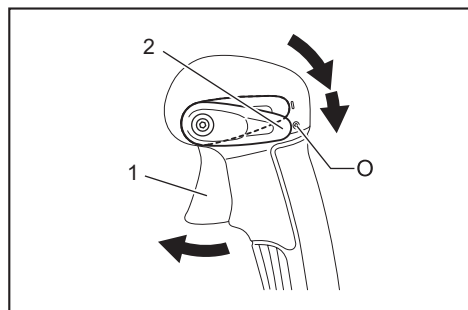
## Lorsque le moteur est réchauffé (démarrage à chaud)

**⚠ ATTENTION : Prenez garde de vous brûler la main. Portez des gants pour faire démarrer le moteur.**

1. Mettez le souffleur sur une surface plane.
2. Appuyez plusieurs fois sur la pompe d'amorçage.
3. Assurez-vous que le levier d'étranglement est ouvert.
4. Mettez votre main gauche sur le dessus du souffleur et tirez lentement sur la poignée de démarreur avec votre main droite jusqu'à ce que vous sentiez la compression. Tirez ensuite puissamment sur la poignée de démarreur.

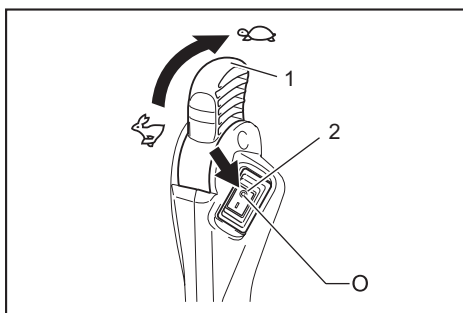
## Arrêt du moteur

**Pour le modèle à accélérateur monté sur tube :** Libérez la gâchette d'accélérateur puis mettez le levier de commande d'arrêt sur la position « O ».



- 1. Gâchette d'accélérateur 2. Levier de commande d'arrêt

**Pour le modèle à accélérateur monté sur hanche :** Mettez le levier d'accélérateur en position de basse vitesse pour réduire la vitesse du moteur. Mettez ensuite l'interrupteur d'arrêt sur la position « O ».



- 1. Levier d'accélérateur 2. Interrupteur d'arrêt

## Prévention contre le gel du carburateur

**AVIS : Lorsque la température ambiante est plus élevée que 10 °C (50 °F), remettez toujours le levier sur le réglage normal (marque de soleil).** Autrement le moteur risque d'être endommagé par une surchauffe.

Lorsque la température ambiante est basse et l'humidité élevée, la vapeur d'eau peut geler à l'intérieur du carburateur, rendant l'entraînement du moteur irrégulier (givrage du carburateur). Si nécessaire, modifiez le réglage du levier antigivrage comme suit.

1. Enlevez la vis et retirez le levier antigivrage.
2. Insérez le levier antigivrage comme suit :

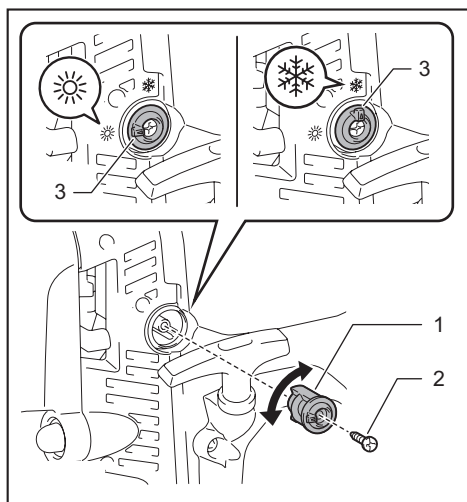
**Température ambiante supérieure à 10 °C (50 °F)**

Mettez la protubérance sur la marque de soleil (position de température plus élevée).

**Température ambiante de 10 °C (50 °F) ou moins**

Mettez la protubérance sur la marque de neige (position antigivrage).





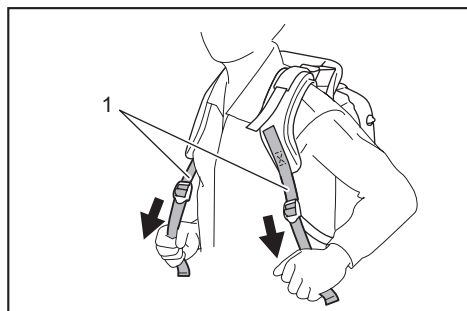
► 1. Levier antigivrage 2. Vis 3. Protubérance

3. Serrez la vis.

### Réglage de la bandoulière

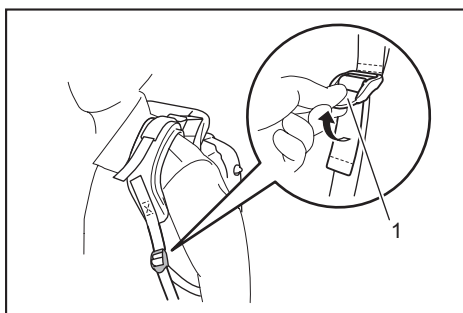
1. Réglez la bandoulière sur une longueur confortable permettant de bien effectuer le travail tout en portant le souffleur.

Pour serrer la sangle, tirez son extrémité vers le bas.



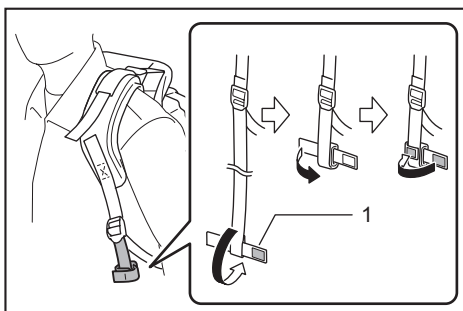
► 1. Bandoulière

Pour desserrer la sangle, tirez l'extrémité de la fixation vers le haut.



► 1. Fixation

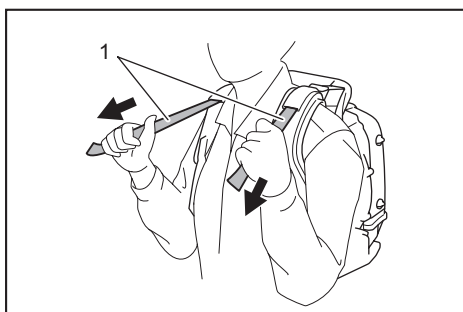
Enroulez l'extrémité de la sangle et retenez-la avec la bande.



► 1. Bande

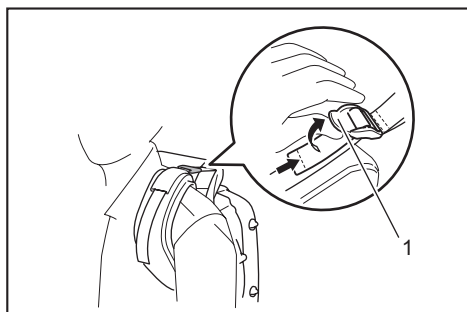
2. Tirez sur la sangle de stabilisation jusqu'à ce qu'il n'y ait plus d'espace libre entre votre dos et le boîtier du souffleur.

Pour serrer la sangle, tirez son extrémité vers le bas.



► 1. Sangle de stabilisation

Pour desserrer la sangle, tirez l'extrémité de la fixation vers le haut.

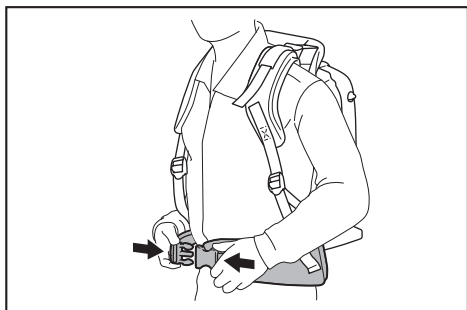


► 1. Fixation

## Ceinture de hanches

### Accessoire en option

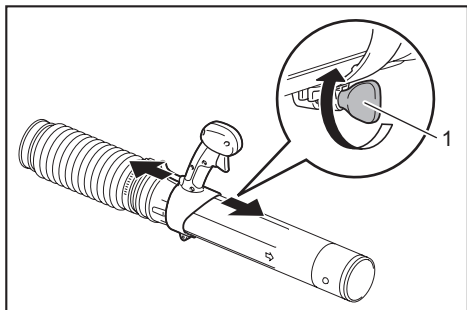
La ceinture de hanches permet à l'utilisateur de transporter l'outil avec plus de stabilité.



**⚠ ATTENTION :** Veillez à libérer la boucle de ceinture de hanches avant de décharger le souffleur.

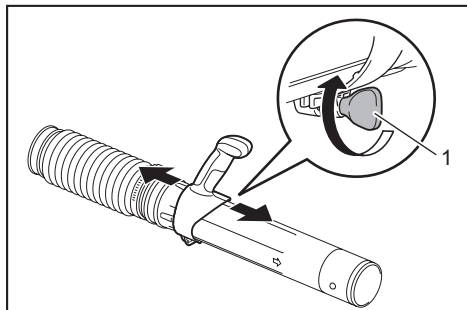
## Réglage de la position du levier de commande

**Pour le modèle à accélérateur monté sur tube :**  
Déplacez la poignée de contrôle le long du tube pivotant jusqu'à la position la plus confortable. Serrez ensuite la poignée de contrôle avec la vis de raccord.



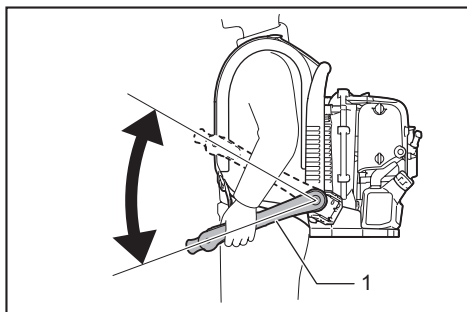
► 1. Vis de raccord

**Pour le modèle à accélérateur monté sur hanche :** Déplacez l'ensemble poignée le long du tube pivotant jusqu'à la position la plus confortable. Serrez ensuite la poignée avec la vis de raccord.



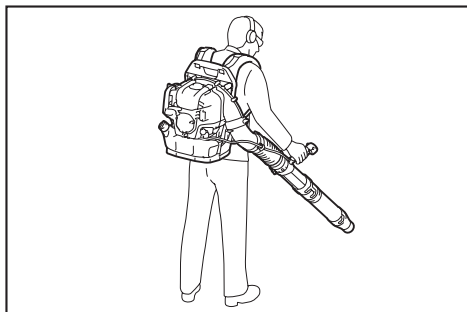
► 1. Vis de raccord

Ajustez l'angle du bras de contrôle.



► 1. Bras de contrôle

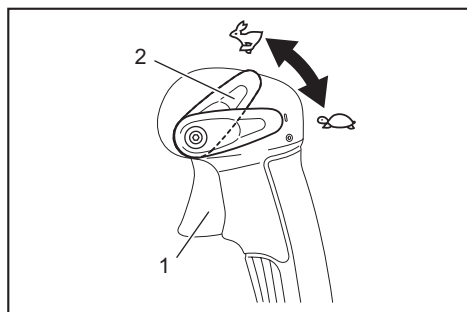
## Fonctionnement du souffleur



1. Pendant l'utilisation du souffleur, ajustez la gâchette d'accélérateur ou le levier d'accélérateur de sorte que la puissance de soufflage convienne au lieu et aux conditions de travail.
2. Réglage de la vitesse du moteur.

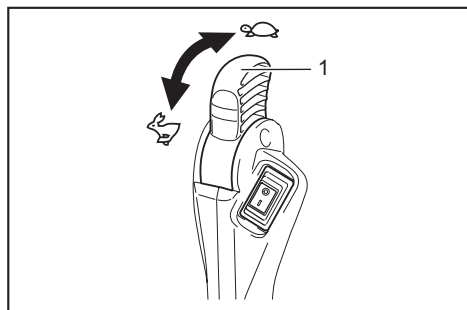
**Pour le modèle à accélérateur monté sur tube :**  
Le moteur accélère lorsque l'on tire sur la gâchette d'accélérateur. Pour réduire la vitesse du moteur, diminuez la pression sur la gâchette d'accélérateur.

La fonction de régulateur de vitesse permet à l'utilisateur de maintenir une vitesse de moteur constante sans tirer sur la gâchette d'accélérateur. Pour augmenter la vitesse du moteur, tournez le levier de commande d'arrêt sur la vitesse élevée. Pour réduire la vitesse du moteur, tournez le levier de commande d'arrêt sur la vitesse basse.



► 1. Gâchette d'accélérateur 2. Levier de commande d'arrêt

**Pour le modèle à accélérateur monté sur hanche :** Pour augmenter la vitesse du moteur, tournez le levier d'accélérateur sur la vitesse élevée. Pour réduire la vitesse du moteur, tournez le levier d'accélérateur sur la vitesse basse.



► 1. Levier d'accélérateur

## Transport du souffleur

**ATTENTION :** Avant de transporter le souffleur, vous devez couper le moteur.

**AVIS :** Évitez de vous asseoir ou de monter sur le souffleur, et ne posez pas d'objet lourd dessus. Cela pourrait endommager la machine.

**AVIS :** Gardez le souffleur à la verticale chaque fois que vous le transportez ou le rangez. S'il est transporté ou rangé autrement qu'à la verticale, l'huile risque de se répandre qu'à l'intérieur du moteur du souffleur. Il peut en résulter des fuites d'huile, de la fumée blanche par combustion de l'huile, et l'encrassement du filtre à air par l'huile.

**AVIS :** Ne traînez pas le souffleur pour le transporter. Autrement le boîtier du souffleur risque d'être endommagé.

## ENTRETIEN

**ATTENTION :** Avant l'inspection et la maintenance, coupez le moteur et laissez-le refroidir. Enlevez la bougie d'allumage et le capuchon de bougie. Autrement il y a risque de brûlure ou de blessure grave par démarrage accidentel.

**ATTENTION :** Après l'inspection et la maintenance, assurez-vous que toutes les pièces sont montées.

## Changement d'huile à moteur

**ATTENTION :** Le moteur et l'huile à moteur sont encore chauds juste après l'arrêt du moteur. Avant de faire le changement d'huile à moteur, assurez-vous que le moteur et l'huile à moteur ont suffisamment refroidi. Autrement, il peut y avoir un risque de brûlure. Après l'arrêt du moteur, laissez le temps à l'huile à moteur de retourner dans le réservoir d'huile, pour assurer la lecture exacte de la quantité d'huile.

**ATTENTION :** Si vous versez de l'huile au-delà de la limite supérieure, elle risque de se salir ou de s'enflammer en dégageant une fumée blanche.

**AVIS : Ne jetez jamais l'huile à moteur remplacée aux ordures, dans le sol ou aux égouts.** L'élimination de l'huile est réglementée par la loi. Pour l'élimination, respectez toujours les lois et règlements applicables. Pour tout point demeurant obscur, contactez votre représentant autorisé.

**AVIS : L'huile se détériore même lorsqu'elle reste inutilisée.** Inspectez et remplacez l'huile régulièrement (remplacez-la par de l'huile neuve tous les 6 mois).

Une huile à moteur usée réduit considérablement la durée de service des pièces coulissantes et pièces rotatives. Pensez à vérifier l'intervalle de changement et la quantité requise.

## Intervalle de changement

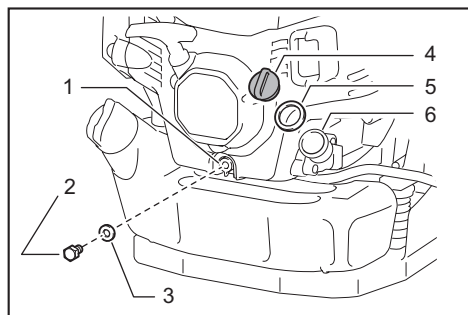
Après les 20 premières heures d'utilisation, puis toutes les 50 heures d'utilisation

## Huile recommandée

- Huile à moteur 4 temps Makita authentique, ou
- Huile SAE 10W-30 de la classification API, classe SF ou supérieure (huile à moteur à quatre temps pour automobile)

## Procédure de changement d'huile

Procédez comme suit pour changer l'huile :



- 1. Trou de vidange 2. Boulon de vidange d'huile 3. Joint (rondelle d'aluminium)  
4. Bouchon à huile 5. Joint de bouchon à huile 6. Orifice de ravitaillement d'huile

1. Mettez le souffleur sur une surface de niveau.
2. Mettez un contenant d'huile usée sous le trou de vidange pour collecter l'huile vidangée. Le contenant doit avoir une capacité d'au moins 140 ml (4,7 fl oz) pour pouvoir collecter toute l'huile.
3. Desserrez le boulon de vidange d'huile pour vidanger l'huile. Prenez garde de laisser l'huile tomber sur le réservoir à carburant ou autres pièces.

**AVIS : Prenez garde de perdre le joint (rondelle d'aluminium). Mettez le boulon de vidange d'huile dans un emplacement où il ne risque pas d'être sali.**

4. Retirez le bouchon à huile. (Le retrait du bouchon à huile facilite la vidange.)

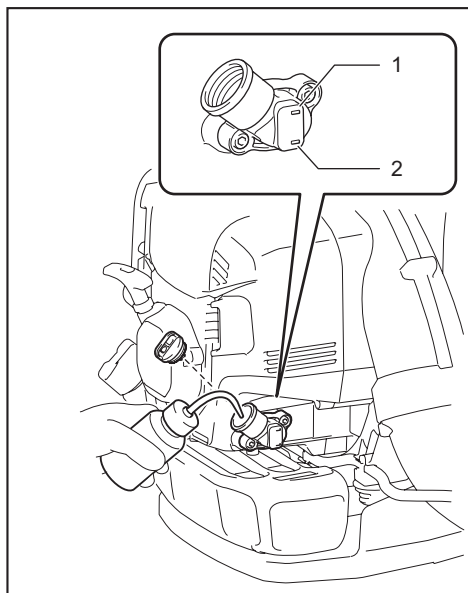
**AVIS : Pensez à mettre le bouchon à huile dans un emplacement où il ne risque pas d'être sali.**

5. Lorsque le niveau d'huile vidangée diminue, inclinez le souffleur du côté du drainage, pour que toute l'huile soit vidangée.

6. Une fois toute l'huile vidangée, serrez fermement le boulon de vidange d'huile. Si le boulon n'est pas assez serré, il y a risque de fuite d'huile.

**AVIS : En remettant en place le bouchon de vidange d'huile, n'oubliez pas de remettre le joint (rondelle d'aluminium).**

7. Versez environ 140 ml (4,7 fl oz) d'huile dans l'orifice de ravitaillement d'huile, jusqu'à la limite supérieure de la jauge d'huile.



- 1. Marque de limite supérieure 2. Marque de limite inférieure

8. Après avoir versé l'huile, serrez fermement le bouchon à huile pour éviter les fuites.

**AVIS : En remettant en place le bouchon à huile, n'oubliez pas de remettre le joint de bouchon à huile.**

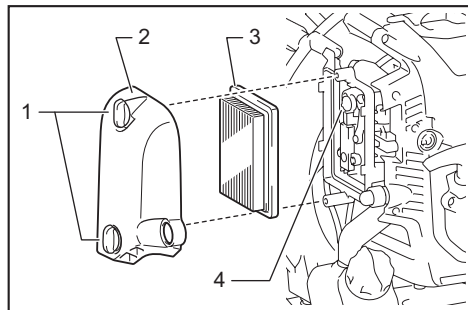
## Nettoyage du filtre à air

**⚠ MISE EN GARDE : SUBSTANCES INFLAMMABLES STRICTEMENT INTERDITES**

### Intervalle de nettoyage et d'inspection

Quotidien (toutes les 10 heures d'utilisation)

### Procédure de nettoyage



► 1. Boutons de boulonnage 2. Couvercle de filtre à air 3. Élément 4. Reniflard

1. Desserrez les boutons de boulonnage.
2. Retirez le couvercle de filtre à air.
3. Retirez l'élément et enlevez toute trace de saleté sur l'élément à l'aide d'un linge ou d'une soufflette. Si l'élément est endommagé ou très sale, remplacez-le par un neuf.

**NOTE :** L'élément est de type sec et ne doit pas être mouillé. Ne le lavez jamais avec de l'eau.

4. Essuyez toute trace d'huile autour du reniflard à l'aide d'un chiffon ou d'un linge.
5. Posez l'élément dans le boîtier du filtre à air.
6. Fixez le couvercle de filtre à air et serrez les boutons de boulonnage.

**AVIS :** Si des poussières excessives adhèrent à l'élément en raison d'un environnement poussiéreux, nettoyez-le plusieurs fois par jour.

**AVIS :** Si vous poursuivez l'utilisation sans enlever l'huile sur l'élément, cette huile risque de tomber à l'extérieur et de provoquer de la contamination.

## Vérification de la bougie d'allumage

**⚠ ATTENTION :** Ne touchez pas la bougie d'allumage pendant que le moteur tourne. Autrement il y a risque de décharge électrique.

**⚠ ATTENTION :** Mettez le levier de commande d'arrêt/interrupteur d'arrêt sur la position d'arrêt « O ».

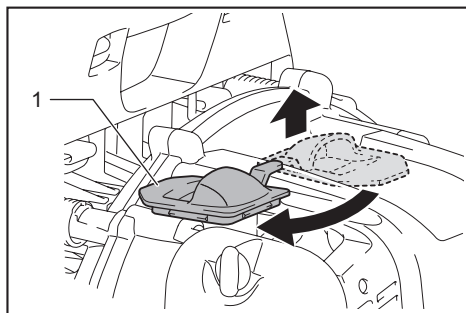
**⚠ ATTENTION :** Vérifiez régulièrement le câble de la bougie d'allumage. S'il est endommagé ou tordu, remplacez-le. Autrement il y a risque de décharge électrique.

**AVIS :** Lorsque vous retirez la bougie d'allumage, nettoyez d'abord la bougie d'allumage et la culasse, pour ne pas que des saletés, du sable ou autres matières pénètrent dans le cylindre.

**AVIS :** Retirez la bougie d'allumage une fois le moteur refroidi, afin d'éviter d'endommager le trou fileté à l'intérieur du cylindre.

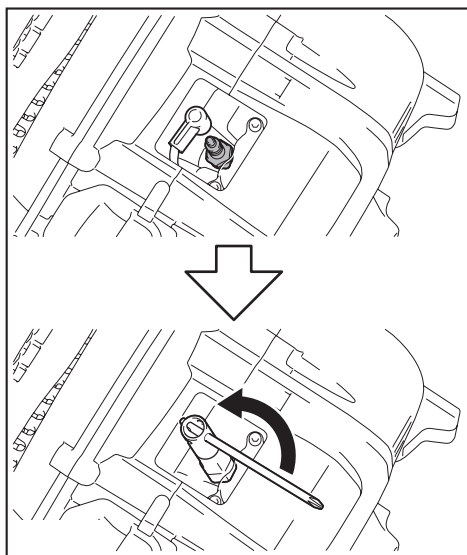
**AVIS :** Installez correctement la bougie d'allumage dans le trou fileté. Si vous ne l'insérez pas bien droit, vous endommagerez le trou fileté à l'intérieur du cylindre.

1. Pour ouvrir le capot de bougie, soulevez-le et faites-le faire un demi-tour sur lui-même.



► 1. Capot de bougie

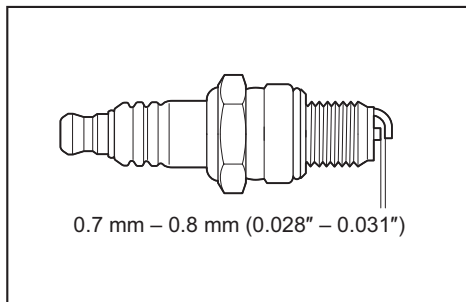
2. Utilisez la clé polygonale fournie en accessoire standard pour retirer ou poser la bougie d'allumage.



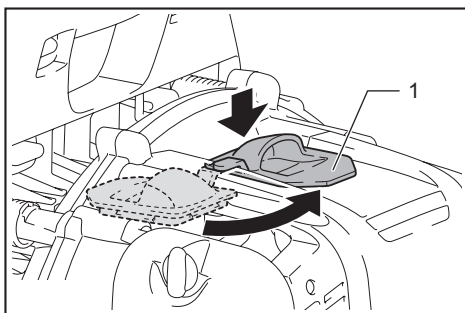
**3.** La distance appropriée entre les deux électrodes de la bougie d'allumage est de 0,7 à 0,8 mm (0,028" à 0,031"). Ajustez cette distance quand elle est trop large ou trop étroite.

Nettoyez soigneusement ou remplacez la bougie d'allumage si le carbone s'y est accumulé ou si elle est contaminée.

Pour le remplacement, utilisez une bougie NGK CMR6H.



**4.** Pour fermer le capot de bougie, faites-lui faire un demi-tour sur lui-même et appuyez à l'emplacement de la partie dentelée.



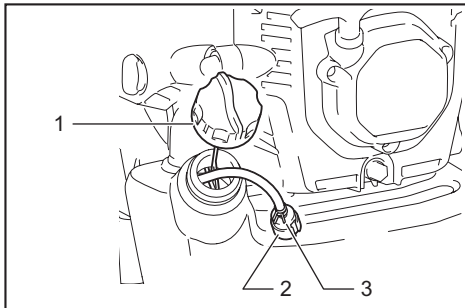
► 1. Capot de bougie

## Nettoyage du filtre à carburant

**⚠ ATTENTION :** Assurez-vous que le réservoir à carburant n'est pas endommagé. Si le réservoir à carburant est endommagé, demandez immédiatement à un centre de service autorisé de le faire réparer.

**AVIS :** Nettoyez régulièrement le filtre à carburant. Un filtre à carburant obstrué peut rendre le démarrage difficile ou empêcher l'accélération du moteur.

Vérifiez régulièrement le filtre à carburant, comme suit :



► 1. Bouchon du réservoir à carburant 2. Filtre à carburant 3. Serre-tube

**1.** Retirez le bouchon du réservoir à carburant et vidangez le carburant pour vider le réservoir. Vérifiez s'il y a des corps étrangers dans le réservoir. Essayez tout corps étranger.

**2.** Retirez le filtre à carburant à l'aide du fil de fer, par l'orifice de ravitaillement de carburant.

**3.** Si la surface du filtre à carburant est contaminée, nettoyez-la avec de l'essence.

**AVIS :** Pour éliminer l'essence utilisée pour le nettoyage du filtre à carburant, suivez la méthode spécifiée par l'administration locale.

**AVIS :** Remplacez le filtre à carburant s'il est excessivement contaminé.

4. Après la vérification et le nettoyage ou remplacement, insérez le filtre à carburant dans le tuyau de carburant et fixez-le avec le serre-tube. Remettez en place le filtre à carburant dans le réservoir à carburant, et serrez fermement le bouchon du réservoir à carburant.

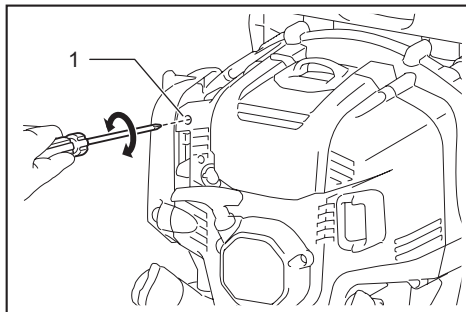
## Réglage de la vitesse de ralenti

**⚠ ATTENTION :** Le carburateur a été réglé en usine. N'effectuez jamais d'autre réglage que celui de la vitesse de ralenti. Confiez tous les autres réglages à un centre de service autorisé.

La rotation basse vitesse adéquate est 2 800 / min (tr/min).

S'il est nécessaire de modifier la vitesse de rotation, ajustez la vitesse de ralenti avec un tourne-vis à pointe cruciforme.

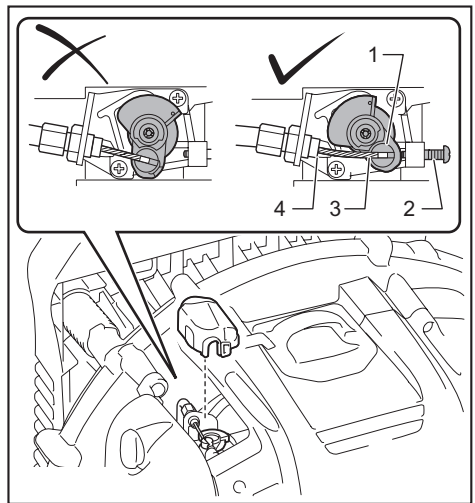
Si le moteur s'arrête ou tourne de manière irrégulière au ralenti, tournez la vis de réglage vers la droite pour augmenter la vitesse de ralenti. Si le moteur s'emballe au ralenti, tournez la vis de réglage vers la gauche pour réduire la vitesse de ralenti.



► 1. Vis de réglage du ralenti

## Vérification de la vanne d'accélérateur

Si le câble de contrôle est plié ou coincé, la vanne d'accélérateur n'établira pas le contact avec la vis de réglage du ralenti, empêchant le moteur de tourner correctement au ralenti. Le cas échéant, repositionnez le câble de contrôle pour assurer le mouvement adéquat de la vanne.

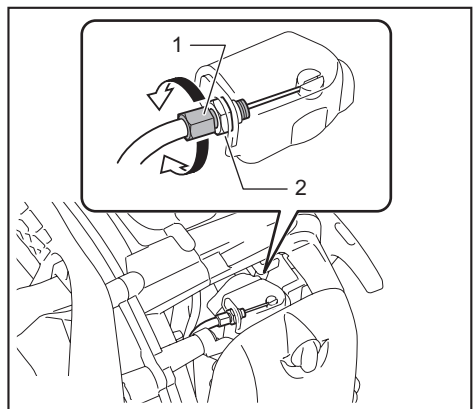


► 1. Vanne d'accélérateur 2. Vis de réglage du ralenti 3. Câble de contrôle 4. Butée de vanne d'accélérateur

Si la vanne d'accélérateur ne touche pas la butée de vanne d'accélérateur même si vous tirez complètement la gâchette d'accélérateur, ou si la vanne d'accélérateur ne touche pas la vis de réglage du ralenti pendant le ralenti, tournez le boulon de réglage du câble comme suit :

1. Desserrez l'écrou de fixation.
2. Si la vanne d'accélérateur ne touche pas la butée de vanne d'accélérateur, tournez le boulon de réglage du câble en sens antihoraire.

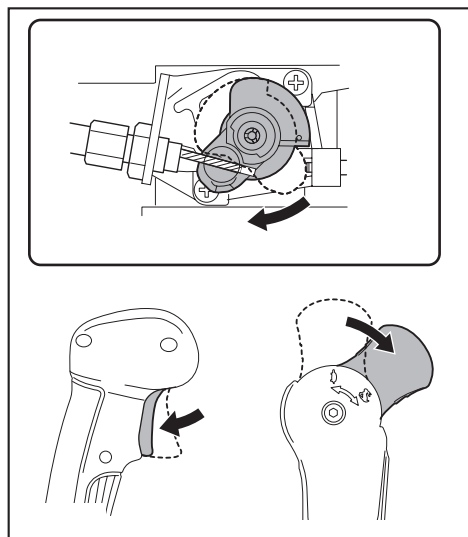
Si la vanne d'accélérateur ne touche pas la vis de réglage du ralenti, tournez le boulon de réglage du câble en sens horaire.



► 1. Boulon de réglage du câble 2. Écrou de fixation

3. Serrez l'écrou de fixation pour serrer le boulon de réglage du câble.

4. Vérifiez le mouvement de la vanne d'accélérateur. La vanne d'accélérateur vient sur la position illustrée lorsque vous tirez sur la gâchette d'accélérateur ou tournez le levier d'accélérateur.

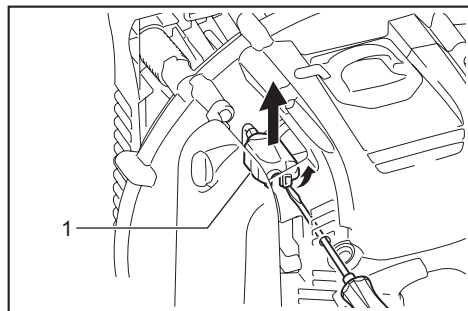


## Nettoyage du couvercle de carburateur

Si le couvercle de carburateur est sale et s'il est difficile de vérifier la vanne d'accélérateur, nettoyez le couvercle de carburateur comme suit :

**AVIS : Pour nettoyer le couvercle de carburateur, n'utilisez jamais d'essence, de benzine, de diluant, d'alcool, etc.** Autrement il risque d'être souillé.

1. Faites passer un tournevis pour écrous à fente à travers le trou du couvercle du moteur. Libérez le collier du couvercle de carburateur.



► 1. Couvercle de carburateur

2. Nettoyez le couvercle de carburateur.

**AVIS : Utilisez un linge propre et mouillé pour nettoyer le couvercle de carburateur.**

3. Remettez en place le couvercle de carburateur. Assurez-vous que le collier du couvercle de carburateur se met en place avec un léger bruit sec.

## Inspection des boulons, écrous, vis et autres pièces

Resserrez les boulons, écrous et autres pièces lâches.

Vérifiez s'il y a des fuites de carburant ou d'huile.

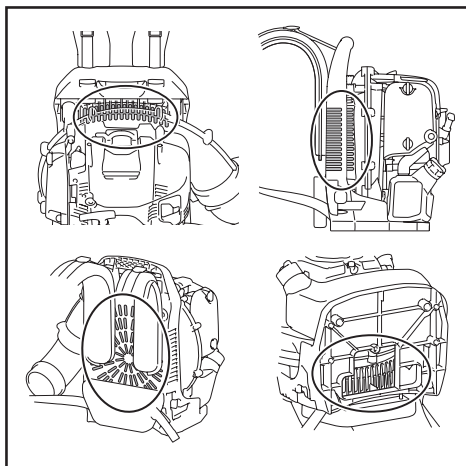
Remplacez les pièces endommagées par des neuves pour assurer un fonctionnement sécuritaire.

## Nettoyage du moteur et de l'entrée d'air de refroidissement

Gardez le moteur propre en l'essuyant avec un chiffon.

Gardez les ailettes de cylindre exemptes de poussières et saletés. L'adhésion de poussières ou saletés sur les ailettes peut entraîner une surchauffe du moteur et un grippage du piston.

L'air soufflé est introduit par l'orifice d'entrée d'air. Si le débit d'air diminue pendant l'utilisation, coupez le moteur et vérifiez si l'orifice d'entrée d'air n'est pas obstrué. Nettoyez au besoin. L'obstruction peut causer une surchauffe et endommager le moteur.





## Remplacement des joints et garnitures

Remplacez les joints et garnitures si vous démontez le moteur.

Tout travail de maintenance ou de réglage qui n'est pas décrit dans ce manuel doit être confié à un représentant autorisé.

## Rangement

**▲ MISE EN GARDE :** Avant de vidanger le carburant, coupez le moteur et attendez qu'il ait refroidi. Autrement il y a risque de brûlures ou d'incendie.

**▲ ATTENTION :** Lorsque vous rangez la machine pour une période prolongée, vidangez complètement le réservoir à carburant et le carburateur, et gardez-la dans un emplacement sec et propre.

Vidangez le carburant du réservoir à carburant et du carburateur avant de ranger la machine comme suit :

1. Retirez le bouchon du réservoir à carburant, et vidangez complètement le carburant. Retirez toute trace de corps étranger à l'intérieur du réservoir à carburant.
2. Retirez le filtre à carburant par l'orifice de ravitaillement, à l'aide d'un fil de fer.
3. Appuyez sur la pompe d'amorçage jusqu'à ce que le carburant en soit vidangé, et vidangez le carburant qui entre dans le réservoir à carburant.
4. Remettez en place le filtre sur le réservoir à carburant, et serrez fermement le bouchon du réservoir à carburant.
5. Faites ensuite tourner le moteur jusqu'à ce qu'il s'arrête.
6. Retirez la bougie d'allumage, et versez quelques gouttes d'huile à moteur dans le trou de bougie.
7. Tirez doucement sur la poignée de démarrage de sorte que l'huile à moteur s'étende dans le moteur, et fixez la bougie d'allumage.
8. Gardez la machine avec sa poignée de transport sur le dessus.
9. Conservez le carburant vidangé dans un contenant spécial, dans un emplacement bien aéré et à l'ombre.

## Localisation des problèmes

Problème	Système	Constatation	Cause
Le moteur ne démarre pas ou démarre difficilement	Système d'allumage	Étincelles d'allumage.	Problème d'alimentation en carburant ou du système de compression, défaut mécanique.
		Pas d'étincelles d'allumage.	Interrupteur d'arrêt utilisé, problème de câblage ou court-circuit, bougie d'allumage ou connecteur défectueux, module d'allumage défectueux.
	Alimentation en carburant	Réservoir à carburant rempli.	Position incorrecte de l'étrangleur, carburateur défectueux, ligne d'alimentation en carburant pliée ou bouchée, carburant sale.
	Compression	Pas de compression au tirage.	Joint du dessous de cylindre défectueux, joints d'étanchéité de vilebrequin endommagés, cylindre ou segments de piston défectueux, ou mauvaise étanchéité de la bougie d'allumage.
	Problème mécanique	Le démarreur ne s'engage pas.	Ressort de démarreur cassé, pièces cassées à l'intérieur du moteur.
Problèmes de démarrage à chaud	-	Réservoir rempli. Étincelles d'allumage.	Carburateur contaminé, faites-le nettoyer.
Le moteur démarre mais cale.	Alimentation en carburant	Réservoir rempli.	Mauvais réglage de ralenti, carburateur contaminé.
			Ventilation du réservoir à carburant défectueuse, ligne d'alimentation en carburant interrompue, câble ou interrupteur d'arrêt défectueux.
Rendement insuffisant	Plusieurs systèmes peuvent être simultanément affectés.	Mauvais ralenti du moteur.	Filtre à air contaminé, carburateur contaminé, silencieux obstrué, conduit d'échappement obstrué dans le cylindre.

## Intervalle d'inspection et de maintenance

-		Avant l'utilisation	Après le ravitaillement	Quotidien (10 heures)	50 heures	200 heures	600 heures ou 2 ans, selon la première éventualité	Avant le rangement
Huile à moteur	Inspecter / Remplir	○	-	-	-	-	-	-
	Remplacer	-	-	-	○ (Note 1)	-	-	-
Serrage des pièces (boulon, écrou)	Inspecter	○	-	-	-	-	-	-
Entrée d'air de refroidissement	Nettoyer / Inspecter	○	-	-	-	-	-	-
Réservoir à carburant	Nettoyer / Inspecter	○	-	-	-	-	-	-
	Vidanger le carburant	-	-	-	-	-	-	○ (Note 3)
Gâchette d'accélérateur / Levier d'accélérateur	Vérifier le fonctionnement	-	○	-	-	-	-	-
Arrêt du moteur	Vérifier le fonctionnement	-	○	-	-	-	-	-
Réglage de la vitesse de ralenti	Inspecter / Régler	-	○	-	-	-	-	-
Filtre à air	Nettoyer	-	-	○	-	-	-	-
	Inspecter / Remplacer si nécessaire	-	-	-	-	○	-	-
Câble de contrôle	Inspecter / Régler	-	-	○	-	-	-	-
	Inspecter / Remplacer si nécessaire	-	-	-	-	○ (Note 2)	-	-

-		Avant l'utilisation	Après le ravitaillement	Quotidien (10 heures)	50 heures	200 heures	600 heures ou 2 ans, selon la première éventualité	Avant le rangement
Bougie d'allumage	Inspecter / Régler la distance si nécessaire	-	-	○	-	-	-	-
	Nettoyer / Remplacer si nécessaire	-	-	-	-	○	-	-
Cordon d'alimentation	Inspecter / Remplacer si nécessaire	-	-	-	-	○ (Note 2)	-	-
Tuyau de carburant	Inspecter	-	-	○	-	-	-	-
	Remplacer	-	-	-	-	○ (Note 2)	-	-
Filtre à carburant	Nettoyer / Remplacer si nécessaire	-	-	-	○	-	-	-
Tube d'huile	Inspecter	-	-	-	-	○ (Note 2)	-	-
Distance des vannes (vanne d'entrée et vanne d'évacuation)	Inspecter / Régler	-	-	-	-	○ (Note 2)	-	-
Silencieux	Inspecter / Nettoyer	-	-	-	-	○ (Note 2)	-	-
Chambre de combustion / Vanne / Orifice	Inspecter / Nettoyer	-	-	-	-	○ (Note 2)	-	-
Moteur	Révision	-	-	-	-	-	○ (Note 2)	-
Carburateur	Vidanger le carburant	-	-	-	-	-	-	○ (Note 3)

Note 1 : Effectuez le premier remplacement après 20 heures d'utilisation.

Note 2 : Confiez l'inspection à un représentant autorisé ou à un atelier spécialisé.

Note 3 : Après avoir vidé le réservoir à carburant, faites tourner le moteur pour vidanger le carburant du carburateur.

# DÉPANNAGE

Avant de faire une demande de réparation, faites d'abord votre propre inspection. Si vous rencontrez un problème non indiqué dans ce manuel, n'essayez pas de démonter l'outil. Demandez plutôt à un centre de service après-vente Makita agréé de faire la réparation avec des pièces de rechange Makita.

État anormal	Cause probable (dysfonctionnement)	Solution
Le moteur ne démarre pas.	Non-utilisation de la pompe d'amorçage.	Appuyez de 7 à 10 fois.
	Faible vitesse de traction de la corde de démarreur.	Tirez vigoureusement.
	Manque de carburant.	Mettez du carburant.
	Filtre à carburant obstrué.	Nettoyez le filtre à carburant ou remplacez-le par un neuf.
	Tube de carburant plié.	Redressez le tube de carburant.
	Carburant détérioré.	Le carburant détérioré rend le démarrage plus difficile. Remplacez-le par du neuf. (Fréquence de remplacement recommandée : 1 mois)
	Aspiration excessive de carburant.	Mettez le levier d'accélérateur sur une vitesse moyenne à élevée, et tirez sur la poignée de démarrage jusqu'à ce que le moteur démarre. Si le moteur ne démarre toujours pas, retirez la bougie d'allumage, asséchez l'électrode, puis remettez-les en place. Démarrez ensuite en procédant tel que spécifié.
	Capuchon de bougie détaché.	Fixez-le fermement.
	Bougie d'allumage contaminée.	Nettoyez la bougie d'allumage.
	Distance anormale de la bougie d'allumage.	Ajustez la distance.
	Autre anomalie de la bougie d'allumage.	Remplacez la bougie d'allumage.
	Carburateur anormal.	Demandez à un centre de service après-vente agréé d'effectuer l'inspection et la réparation.
	Impossible de tirer sur le bouton de démarreur.	Demandez à un centre de service après-vente agréé d'effectuer l'inspection et la réparation.
Problème de pièces internes du moteur.	Demandez à un centre de service après-vente agréé d'effectuer l'inspection et la réparation.	

<b>État anormal</b>	<b>Cause probable (dysfonctionnement)</b>	<b>Solution</b>
Calage du moteur au démarrage. La vitesse du moteur n'augmente pas.	Réchauffement insuffisant.	Faites réchauffer le moteur.
	Le levier d'étranglement est sur la position « fermée » même si le moteur est réchauffé.	Mettez-le sur « ouverte ».
	Filtre à carburant obstrué.	Nettoyez le filtre à carburant.
	Filtre à air contaminé ou obstrué.	Nettoyez le filtre à air.
	Câble de contrôle détaché.	Fixez le câble de contrôle fermement.
	Problème de pièces internes du moteur.	Demandez à un centre de service après-vente agréé d'effectuer l'inspection et la réparation.
L'accélérateur ne revient pas sur la vitesse de ralenti.	Position inadéquate de la vanne d'accélérateur.	Repositionnez le câble de contrôle. Réglez la position de la vanne d'accélérateur en tournant le boulon de réglage du câble.
Le moteur ne s'arrête pas. ⇒ Faites tourner le moteur au ralenti, et mettez le levier d'étranglement sur la position « fermée ».	Connecteur détaché.	Fixez le connecteur fermement.
	Système électrique anormal.	Demandez à un centre de service après-vente agréé d'effectuer l'inspection et la réparation.

## CONTENIDO

ESPECIFICACIONES.....	55	ANTES DE PONER EN MARCHA EL MOTOR .....	64
INSTRUCCIONES IMPORTANTES DE SEGURIDAD .....	56	OPERACIÓN .....	66
DESCRIPCIÓN DE LAS PIEZAS.....	61	MANTENIMIENTO.....	71
MONTAJE.....	63	RESOLUCIÓN DE PROBLEMAS .....	81


















## ESPECIFICACIONES

Modelo:		EB5300TH	EB5300WH
Tipo de acelerador		Acelerador de tubo	Acelerador de cadera
Peso en seco	sin el tubo de la sopladora / con el amortiguador	19,7 lbs (8,9 kg)	20,1 lbs (9,1 kg)
	con el tubo de la sopladora	21,7 lbs - 22,2 lbs (9,8 kg - 10,0 kg)	22,3 lbs - 22,8 lbs (10,1 kg - 10,3 kg)
Dimensiones (sin el tubo de la sopladora, La x An x Al)		12-5/8" x 17-3/4" x 18-3/4" (320 mm x 450 mm x 475 mm)	12-5/8" x 20" x 18-3/4" (320 mm x 510 mm x 475 mm)
Velocidad del aire	(con el tubo largo, boquilla circular)	182 mph (81 m/s)	
	(con el tubo corto, boquilla circular)	184 mph (82 m/s)	
Caudal de volumen de aire	(con el tubo largo, boquilla circular)	512 pcm (15 m <sup>3</sup> /minuto)	
	(con el tubo corto, boquilla circular)	516 pcm (15 m <sup>3</sup> /minuto)	
Velocidad máxima del motor		6 400 r/min	
Velocidad de ralentí		2 800 r/min	
Desplazamiento del motor		1,78 onzas líquidas (52,5 cm <sup>3</sup> )	
Tipo de motor		Enfriado por aire, cuatro tiempos, cilindro único	
Combustible		Gasolina para automóviles	
Capacidad del tanque de combustible		60,9 onzas líquidas (1 800 cm <sup>3</sup> )	
Aceite del motor		Aceite SAE 10W-30, clase SF o superior de la clasificación API (aceite del motor de cuatro tiempos para automóviles)	
Volumen de aceite del motor		4,7 onzas líquidas (140 cm <sup>3</sup> )	
Carburador		Tipo diafragma	
Bujía		NGK CMR6H	
Distancia entre electrodos		0,028" - 0,031" (0,7 mm - 0,8 mm)	

- Debido a nuestro programa continuo de investigación y desarrollo, las especificaciones aquí dadas están sujetas a cambios sin previo aviso.
- Las especificaciones pueden variar de país a país.
- El peso puede variar en función del (de los) accesorio(s).
- (Para Canadá) NOTA: Este sistema de encendido por chispa cumple con la norma canadiense ICES-002.

## Símbolos

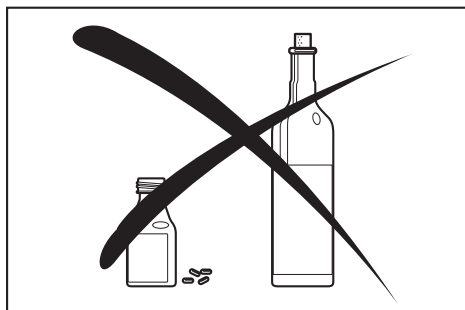
A continuación se muestran los símbolos utilizados para el equipo. Asegúrese de entender su significado antes de usarlo.

	Ponga especial atención y tenga cuidado.
	Lea el manual de instrucciones.
	¡Prohibido!
	No fumar.
	No acercarse a una llama expuesta.
	Use guantes protectores.
	Llevar protección en ojos y oídos.
	Superficies calientes - Quemaduras de los dedos o las manos.
	Mantenga alejados a los espectadores.
	Mantenga el área de operación libre de personas y mascotas.
	Combustible (gasolina)
	Arranque manual del motor.
	Parar el motor.
	Primeros auxilios
	Encendido/arranque
	Apagado/paro
	El cabello largo puede enredarse provocando un accidente.

## INSTRUCCIONES IMPORTANTES DE SEGURIDAD

### Instrucciones generales

1. Para garantizar un funcionamiento correcto y seguro, el usuario debe leer, entender y seguir este manual de instrucciones para familiarizarse con el manejo de la sopladora. Los usuarios que no estén suficientemente informados pueden ponerse en peligro a sí mismos y a otros a causa de un manejo inadecuado.
2. Se recomienda prestar la sopladora únicamente a personas que demuestren tener experiencia en el uso de sopladoras.
3. Siempre que preste la sopladora debe entregar el manual de instrucciones.
4. Los usuarios que utilicen la máquina por primera vez deben solicitar al vendedor las instrucciones básicas para familiarizarse con el manejo de una sopladora.
5. No se debe permitir el uso de la sopladora a niños y personas menores de 18 años. Sin embargo, las personas mayores de 16 años pueden utilizar la herramienta para fines de entrenamiento únicamente bajo la supervisión directa de un instructor calificado.
6. Utilice las sopladoras con el máximo cuidado y atención.
7. Opere la sopladora sólo si se encuentra en buena condición física.
8. Realice todo el trabajo con conciencia y cuidado. El usuario debe aceptar su responsabilidad ante otras personas.
9. Nunca utilice la sopladora bajo la influencia de alcohol o drogas.

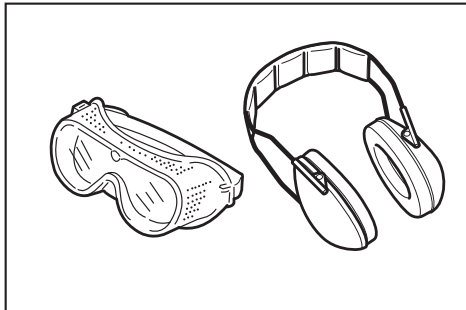
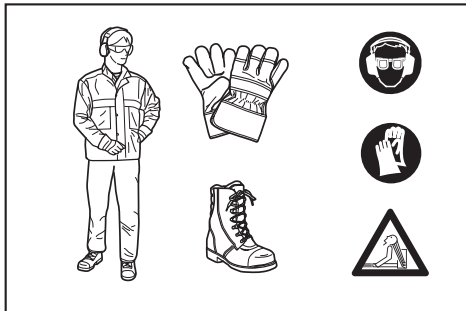


10. No utilice la unidad cuando esté cansado.
11. Conserve estas instrucciones para referencia futura.



12. Tome en cuenta y siga todas las instrucciones pertinentes relativas a la prevención de accidentes emitidas por las asociaciones comerciales y las compañías de seguros. No realice ninguna modificación a la sopladora ya que esto podría poner en riesgo su seguridad.
13. Nunca realice modificaciones en el equipo. Esto podría ocasionar accidentes peligrosos o lesiones personales.

### Equipo de protección personal



1. La ropa utilizada debe ser funcional y adecuada; por ejemplo, debe ser ajustada sin que estorbe. No lleve joyas, ropa o cabello largo suelto que podrían ser jalados hacia la entrada de aire.
2. Para evitar lesiones en la cabeza, ojos, manos o pies, así como para proteger sus oídos, se debe usar el siguiente equipo y ropa de protección durante la operación de la sopladora.
3. La ropa debe ser resistente y ajustada, pero debe permitir una completa libertad de movimiento. Evite las chaquetas holgadas, pantalones anchos o con dobladillos, bufandas, cabello largo suelto o cualquier elemento que pueda ser jalado hacia la entrada de aire. Use overoles o pantalones largos para proteger sus piernas. No use shorts.

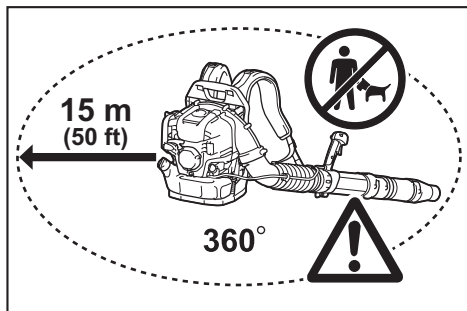
4. Por lo general, los productos con motor son ruidosos y el ruido que producen puede dañar su oído. Utilice protección sonora (tapones para oídos u orejeras). Los usuarios continuos y regulares deben revisarse el oído regularmente.
5. Se recomienda el uso de guantes cuando trabaje con la sopladora. Lleve calzado resistente con suela antideslizante.
6. La protección adecuada de la vista es indispensable. Aunque la descarga no se dirija directamente al operador, los rebotes y rechazos pueden ocurrir durante la operación de la sopladora.
7. Nunca opere la sopladora a menos que lleve gafas o lentes de seguridad ajustados debidamente con una protección superior y lateral adecuadas, de conformidad con la norma ANSI Z87.1 y los reglamentos en su país.
8. Para reducir el riesgo de lesiones asociadas con la inhalación de polvo, utilice una máscara con filtro para la cara cuando haya presencia de polvo.

### Uso pretendido

La herramienta está diseñada para soplar polvo.

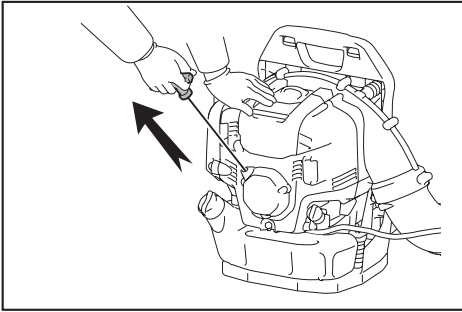
### Puesta en marcha de la sopladora

1. El área debe estar libre de niños, espectadores y mascotas. Mantenga a todos los niños, espectadores y mascotas fuera de un radio de 15 m (50 ft) como mínimo; aun estando afuera de esta zona de 15 m (50 ft), sigue habiendo riesgo de lesiones debido a los objetos que pueden ser arrojados. Se debe exhortar a los espectadores a que usen protección para los ojos. Si alguien se acerca, detenga el motor.



2. Antes de la operación, verifique siempre que la sopladora pueda funcionar de forma segura:

- Verifique la seguridad de la palanca del acelerador. Se debe comprobar que la palanca del acelerador se accione suavemente y con facilidad.
  - Verifique que el seguro de la palanca del acelerador funcione correctamente.
  - Compruebe que los mangos estén limpios y secos y que el interruptor I-O funcione debidamente. Mantenga los mangos libres de aceite y combustible.
3. Ponga en marcha la sopladora únicamente conforme a las instrucciones. No use ningún otro método para arrancar el motor.

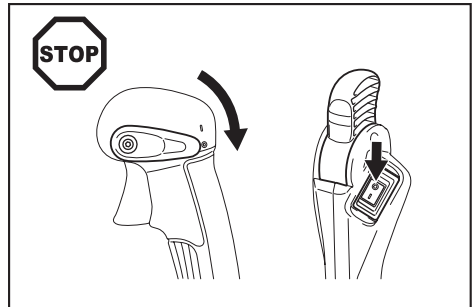


4. Utilice la sopladora y las herramientas suministradas únicamente para las aplicaciones especificadas.
5. Arranque el motor de la sopladora sólo hasta que la herramienta haya sido ensamblada por completo. La operación de la herramienta está permitida únicamente después de haber colocado todos los accesorios necesarios.
6. El motor debe apagarse de inmediato en caso de detectarse algún problema relacionado con éste.
7. Siempre que trabaje con la sopladora, envuelva firmemente el mango con sus dedos, manteniendo el mango de control sostenido entre su pulgar y el dedo índice. Mantenga su mano en esta posición para tener la máquina bajo control en todo momento. Verifique que el mango de control se encuentre en buen estado y libre de humedad, resina, aceite o grasa.
8. Siempre asegúrese de pisar sobre suelo firme y mantener el equilibrio.
9. Durante la operación, cargue la sopladora de forma adecuada sobre ambos hombros. No cargue la sopladora solamente con una de las correas para hombro. De lo contrario puede haber riesgo de lesiones personales.

10. Opere la sopladora de tal manera que evite la inhalación de los gases de escape. Nunca ponga en marcha el motor en habitaciones cerradas (riesgo de sofocamiento y envenenamiento por gases). El monóxido de carbono es un gas inodoro. Siempre asegúrese de que haya una ventilación adecuada.
11. Apague el motor cuando vaya a tomar un descanso o dejar la sopladora desatendida. Colóquela en un lugar seguro para evitar poner en riesgo a otras personas, provocar un incendio debido a los materiales combustibles o causar daños a la máquina.
12. Nunca deje la sopladora caliente sobre pasto seco o algún material combustible.
13. Todas las piezas de protección y protectores suministrados con la máquina deberán ser utilizados durante la operación.
14. Nunca opere el motor con un silenciador de escape defectuoso.

## Transporte

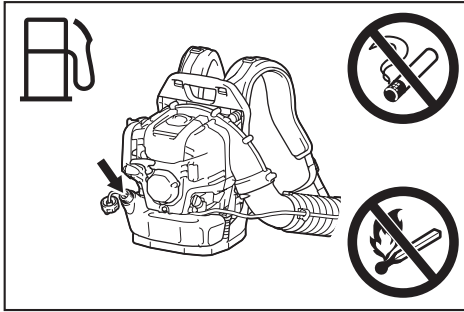
1. Apague el motor durante el transporte.



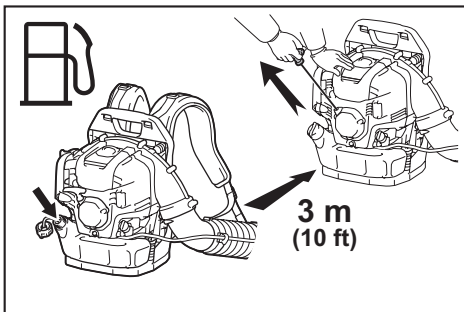
2. Coloque la sopladora de forma segura durante el transporte en auto o camión para evitar fugas de combustible.
3. Durante el transporte de la sopladora, asegúrese de que el tanque de combustible esté completamente vacío.
4. Levante la sopladora sosteniéndola por el mango de transporte cuando vaya a transportarla. No arrastre la sopladora de la boquilla, el tubo u otras piezas.
5. Sostenga la sopladora firmemente durante el transporte.
6. Cuando transporte la sopladora, doble su rodilla y asegúrese de no lastimar su hombro y la espalda baja.

## Reabastecimiento

1. Apague el motor durante el reabastecimiento, manténgase bien alejado de las llamas expuestas y evite fumar.



2. Evite el contacto de los productos derivados del petróleo con su piel. No inhale el vapor de combustible. Siempre use guantes protectores durante el reabastecimiento. Cambie y limpie la ropa de protección en intervalos regulares.
3. Tenga cuidado de no derramar combustible o aceite para evitar la contaminación del suelo (protección ambiental). Limpie la sopladora inmediatamente después de haberse derramado combustible. Permita que la ropa húmeda se seque antes de echarla a un contenedor debidamente cubierto para evitar una combustión espontánea.
4. Evite cualquier contacto de combustible con su ropa. Cambie su ropa de inmediato en caso de haberse derramado combustible en ella (riesgo de incendio).
5. Inspeccione la tapa de combustible periódicamente y asegúrese de que permanezca bien asegurada.
6. Apriete con cuidado la tapa del tanque de combustible. Cambie de ubicación para arrancar el motor (por lo menos a 3 metros (10 ft) del lugar de reabastecimiento).



7. Nunca lleve a cabo el reabastecimiento en habitaciones cerradas. Los vapores de combustible se acumulan a nivel del suelo (riesgo de explosiones).
8. Únicamente transporte y almacene combustible en contenedores aprobados. Asegúrese de que el combustible almacenado no esté al alcance de los niños.
9. No intente reabastecer combustible en un motor caliente o en marcha.
10. No reabastezca más cantidad que la indicada en la sección "ESPECIFICACIONES".

## Método de operación

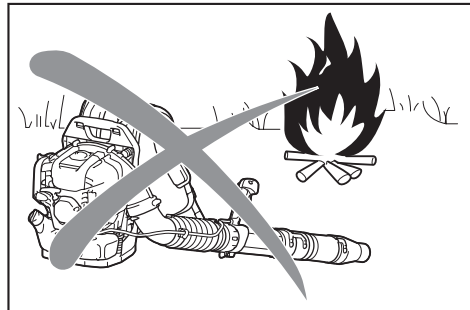
1. Utilice la sopladora sólo cuando las condiciones de luz y visibilidad sean buenas. Tome precauciones en áreas húmedas o resbalosas, con hielo y nieve (riesgo de caídas), y en espacios estrechos. Siempre asegúrese de pisar sobre suelo firme y seguro.
2. Nunca trabaje sobre superficies poco estables o terrenos inclinados.
3. No trabaje desde escaleras o lugares elevados. De lo contrario puede haber riesgo de lesiones personales.
4. Para reducir el riesgo de lesiones personales, no dirija corrientes de aire hacia aquellas personas que estén como espectadoras, ya que la alta presión del flujo de aire podría lastimar los ojos y lanzar pequeños objetos a gran velocidad.
5. Nunca inserte ningún objeto extraño en la entrada de aire de la máquina ni en la boquilla de la sopladora. Esto dañará la rueda del ventilador y podría ocasionar lesiones graves al operador o los espectadores si el objeto o partes rotas salen lanzadas a gran velocidad.
6. Preste atención a la dirección del viento, es decir, no trabaje en contra del viento.
7. Para reducir el riesgo de tropezarse y perder el control, evite caminar hacia atrás mientras opera la máquina.
8. Apague siempre el motor antes de limpiar o dar servicio a la unidad, o durante el reemplazo de alguna de las piezas.
9. Procure descansar para evitar perder el control a causa de fatiga. Le recomendamos tomar descansos de entre 10 minutos y 20 minutos cada hora.
10. Mantenga todas las partes de su cuerpo alejadas de las superficies calientes.

11. Evite soplar residuos hacia personas, mascotas, ventanas abiertas o vehículos cuando esté usando la unidad.
12. Para reducir los efectos físicos a causa de la vibración y/o el daño en los oídos, si es posible opere la máquina a baja velocidad y acorte el tiempo de operación.
13. Opere la máquina solamente en horas razonables. No opere la sopladora durante la mañana o tarde en la noche si puede molestar a otras personas. Cumpla con los horas especificadas en las normas locales.
14. Se recomienda el uso de rastrillos y escobas para aflojar los residuos antes de soplar.
15. Antes de soplar, humedezca ligeramente las superficies que contengan polvo o utilice un rociador de agua si es necesario.
16. Conserve el agua utilizando sopladoras en vez de mangueras para muchas aplicaciones de césped y jardín, incluyendo áreas como canaletas, rejillas, patios, rejas, pórticos y jardines.
17. Ajuste la longitud de la boquilla de la sopladora de tal manera que la corriente pueda trabajar cerca del suelo.
18. Para reducir los niveles de ruido, procure usar las menos piezas posibles del equipo al mismo tiempo.
19. ¡LIMPIE el área después de usar sopladoras y otros equipos! Deseche los residuos en contenedores de basura.
20. No acelere el motor más de lo necesario. Los objetos lanzados podrían ocasionar lesiones personales.
21. El silenciador de escape llega a calentarse durante la operación. No toque el silenciador de escape caliente ya que esto podría provocarle quemaduras.
22. No opere la máquina en atmósferas explosivas, tal como en la presencia de líquidos, gases o polvo inflamables. La máquina produce chispas que pueden prender fuego al polvo o los humos.

## Instrucciones de mantenimiento

1. Respete al medio ambiente. Opere la sopladora causando el menos ruido y contaminación posibles. En particular, verifique que el ajuste del carburador sea el adecuado.
2. Limpie la sopladora regularmente y compruebe que todos los tornillos y tuercas estén firmemente apretados.

3. Nunca efectúe el mantenimiento o almacenamiento de la sopladora cerca de llamas expuestas, chispas, etc.



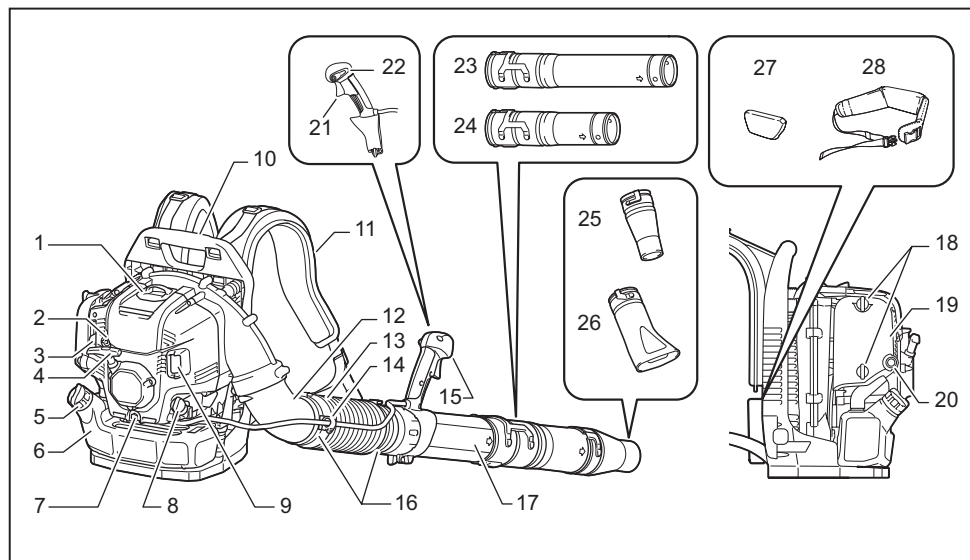
4. Almacene siempre la sopladora en una habitación cerrada y bien ventilada, y con el tanque de combustible vacío.
5. El mantenimiento o la reparación a cargo del usuario se limitan a las actividades descritas en este manual de instrucciones. Los trabajos restantes deben ser efectuados por agentes de servicio autorizados.
6. Utilice únicamente piezas de repuesto y accesorios genuinos suministrados por Makita. El uso de accesorios y herramientas no aprobados podría ocasionar accidentes y lesiones. Makita no se hará responsable de ningún accidente o daño causado por el uso de aditamentos o accesorios no aprobados.
7. Una reparación incorrecta y un mantenimiento deficiente pueden acortar la vida del equipo y aumentar el riesgo de accidentes.

## Primeros auxilios

1. En caso de accidente asegúrese de contar con un botiquín de primeros auxilios bien abastecido cerca del lugar de trabajo. Reemplace de inmediato cualquier artículo que se utilice del botiquín.
2. Cuando solicite ayuda, proporcione la siguiente información:
  - Lugar del accidente
  - Que fue lo que ocurrió
  - Número de personas lesionadas
  - Naturaleza de la lesión
  - Su nombre

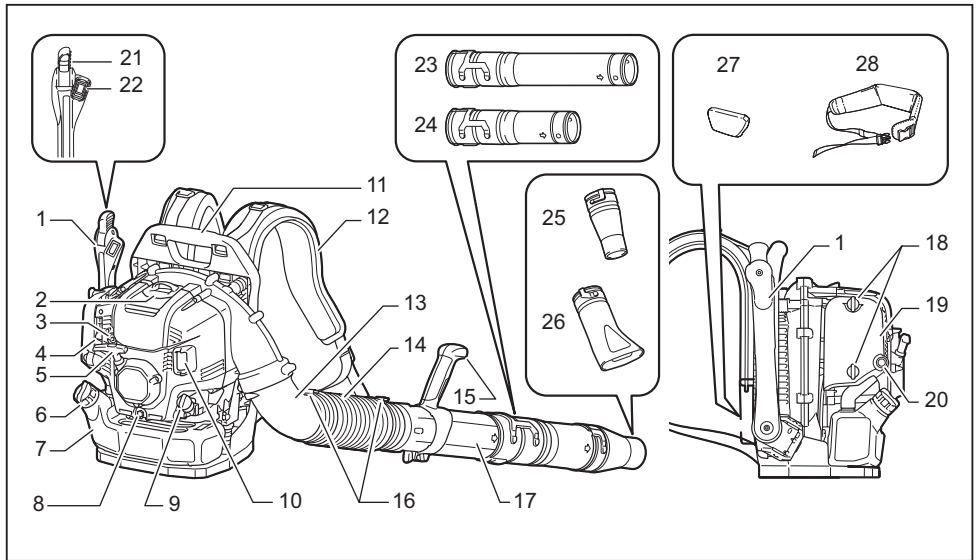
# DESCRIPCIÓN DE LAS PIEZAS

EB5300TH



1	Cubierta de la bujía	9	Silenciador	17	Tubo de la rótula	25	Boquilla circular
2	Palanca anticongelante	10	Mango de transporte	18	Perno de perilla (de la cubierta del filtro de aire)	26	Boquilla plana (accesorio opcional)
3	Palanca del ahogador	11	Correa para hombro	19	Cubierta del filtro de aire	27	Amortiguador (accesorio opcional)
4	Perilla del arrancador	12	Codo	20	Bomba cebadora	28	Cinturón de cadera (accesorio opcional)
5	Tapa del tanque de combustible	13	Tubo flexible	21	Gatillo del acelerador	-	-
6	Tanque de combustible	14	Sujetacables	22	Palanca de control de parada	-	-
7	Perno de drenaje de aceite	15	Mango de control	23	Tubo largo (accesorio opcional)	-	-
8	Tapón del aceite	16	Abrazadera para manguera	24	Tubo corto (accesorio opcional)	-	-

- Los accesorios estándar pueden variar de país a país.



1	Brazo de control	9	Tapón del aceite	17	Tubo de la rótula	25	Boquilla circular
2	Cubierta de la bujía	10	Silenciador	18	Perno de perilla (de la cubierta del filtro de aire)	26	Boquilla plana (accesorio opcional)
3	Palanca anticongelante	11	Mango de transporte	19	Cubierta del filtro de aire	27	Amortiguador (accesorio opcional)
4	Palanca del ahogador	12	Correa para hombro	20	Bomba cebadora	28	Cinturón de cadera (accesorio opcional)
5	Perilla del arrancador	13	Codo	21	Palanca del acelerador	-	-
6	Tapa del tanque de combustible	14	Tubo flexible	22	Interruptor de parada	-	-
7	Tanque de combustible	15	Conjunto del mango	23	Tubo largo (accesorio opcional)	-	-
8	Perno de drenaje de aceite	16	Abrazadera para manguera	24	Tubo corto (accesorio opcional)	-	-

- Los accesorios estándar pueden variar de país a país.

# MONTAJE

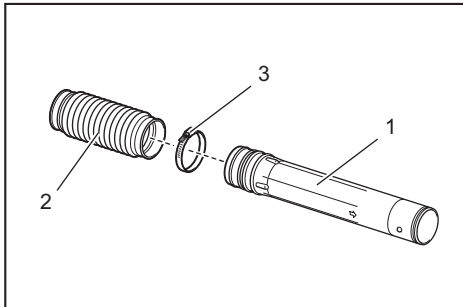
**⚠ PRECAUCIÓN:** Antes de efectuar cualquier trabajo en la sopladora, detenga siempre el motor y separe de la bujía el capuchón de la bujía.

**⚠ PRECAUCIÓN:** Ponga en marcha la sopladora únicamente después de haberla ensamblado completamente.

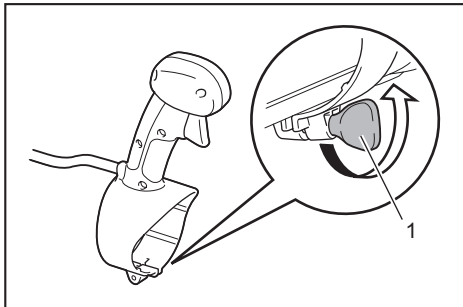
**⚠ PRECAUCIÓN:** Siempre use guantes protectores.

## Ensamble de los tubos de la sopladora

1. Inserte el tubo de la rótula en el tubo flexible y apriételos con la abrazadera para manguera.



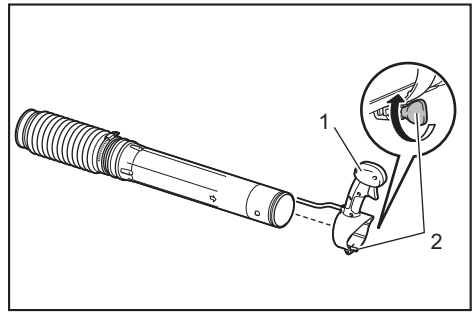
- ▶ 1. Tubo de la rótula 2. Tubo flexible 3. Abrazadera para manguera
2. Afloje y retire el tornillo de sujeción.



- ▶ 1. Tornillo de sujeción

Para el modelo de acelerador de tubo, tenga cuidado de no torcer el cable en el mango de control al conectarlo al tubo de la rótula.

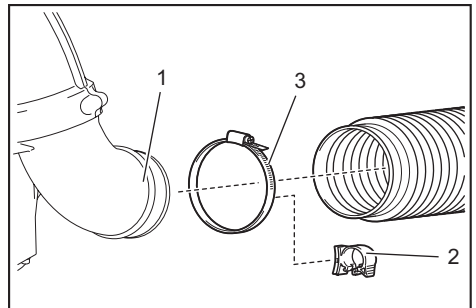
3. Instale el mango de control/conjunto del mango en el tubo de la rótula y apriételos con el tornillo de sujeción.



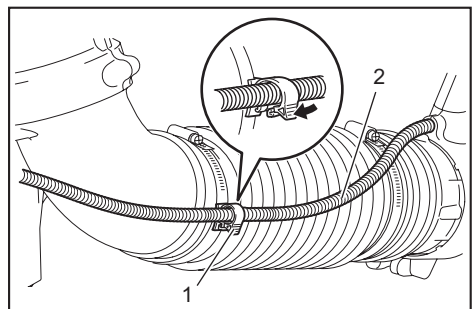
- ▶ 1. Mango de control/conjunto del mango 2. Tornillo de sujeción

4. Conecte el tubo flexible al codo.

**Para el modelo de acelerador de tubo:** Inserte el codo en el tubo flexible. Coloque el sujetacables entre la abrazadera para manguera y el tubo flexible. Apriete el sujetacables, el tubo flexible y el codo con la abrazadera para manguera. Coloque el cable de control en el sujetacables y luego ciérrelo.



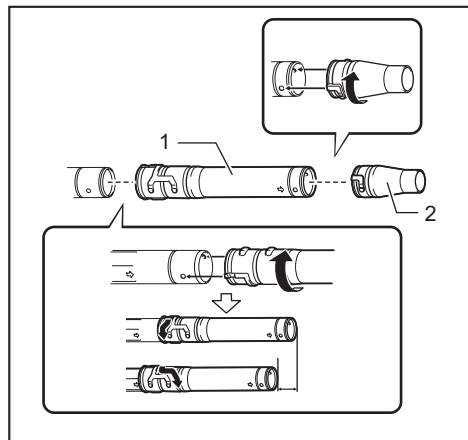
- ▶ 1. Codo 2. Sujetacables 3. Abrazadera para manguera



- ▶ 1. Sujetacables 2. Cable de control

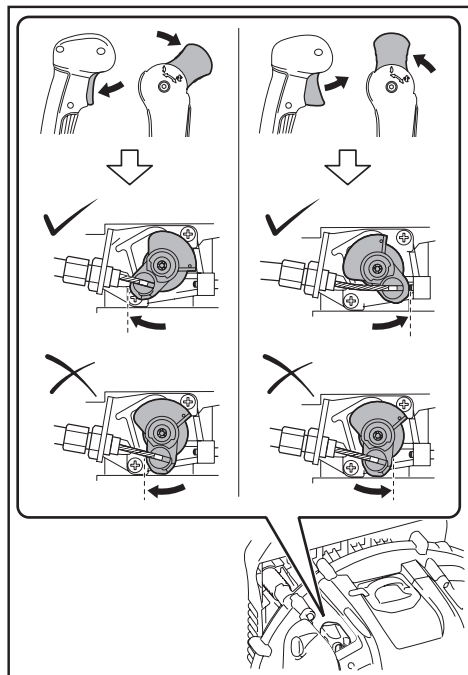
**Para el modelo de acelerador de cadera:** Inserte el codo en el tubo flexible. Apriete el tubo flexible y el codo con la abrazadera para manguera.

5. Conecte el tubo largo/corto al tubo de la r tula. Gire el tubo largo/corto en el sentido de las manecillas del reloj para asegurarlo en su lugar. Luego conecte la boquilla de la sopladora al tubo largo/corto. Gire la boquilla de la sopladora en el sentido de las manecillas del reloj para asegurarla en su lugar.



► 1. Tubo largo/corto 2. Boquilla de la sopladora

6. Aseg rese de que todos los tornillos de sujeci n est n bien apretados. Verifique si la v lvula del acelerador se mueve correctamente junto con el movimiento del acelerador.



Si el acelerador no se puede jalar por completo o si  ste no regresa a la posici n correcta, consulte la secci n MANTENIMIENTO para ver el ajuste de la v lvula del acelerador.

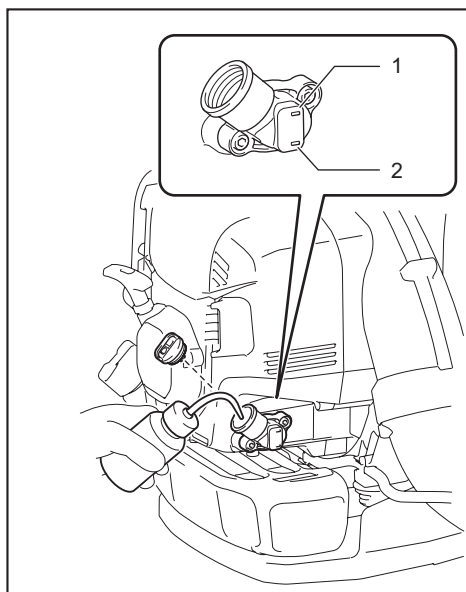
## ANTES DE PONER EN MARCHA EL MOTOR

### Inspecci n y rellenado de aceite del motor

**PRECAUCI N:** Cuando rellene con aceite del motor, detenga el motor y espere a que  ste se enf e. De lo contrario puede existir riesgo de quemaduras.

**AVISO:** El uso de aceite deteriorado causar  irregularidades en el arranque.

**AVISO:** Elimine el polvo o suciedad cerca del puerto de llenado de aceite antes de retirar el tap n del aceite. Asimismo, mantenga el tap n del aceite libre de arena o polvo. De lo contrario, la arena o polvo adherido al tap n del aceite podr a causar la circulaci n irregular del aceite o desgastar las piezas del motor ocasionando problemas.



► 1. Marca de l mite superior 2. Marca de l mite inferior



## Inspección

Coloque la sopladora sobre una superficie plana y retire el tapón del aceite.

Asegúrese de que el nivel de aceite se encuentre dentro de las marcas de límite superior e inferior. Si el aceite está por debajo del límite inferior, llene con aceite nuevo.

Cambie el aceite cuando esté sucio o sufra cambios significativos de color. (Consulte la sección "Reemplazo del aceite del motor" para ver el procedimiento y la frecuencia del cambio de aceite.)

## Rellenado

Coloque la sopladora sobre una superficie plana y retire el tapón del aceite.

Llene con aceite hasta el límite superior del medidor de nivel de aceite.

En promedio, se debe agregar aceite del motor después de cada 20 horas de operación (cada 10 reabastecimientos - 15 reabastecimientos).

## Aceite recomendado

- Aceite del motor de cuatro tiempos original de Makita, o
- Aceite SAE 10W-30, clase SF o superior de la clasificación API (aceite del motor de cuatro tiempos para automóviles)

## Capacidad de aceite

Capacidad de aceite: aproximadamente 140 ml (4,7 onzas líquidas)

**AVISO: Almacene la sopladora en posición vertical sobre una superficie plana.**

El medidor de nivel de aceite no indicará la cantidad correcta de aceite si la sopladora está inclinada y el aceite fluye hacia el motor. Esto puede ocasionar que llene en exceso cuando agregue aceite.

**AVISO: No utilice demasiado aceite al llenar.** El exceso de aceite puede hacer que éste se derrame del respiradero del filtro de aire y ensucie las partes alrededor, o que aparezca humo blanco debido al quemado de aceite.

## Después del rellenado de aceite

Limpie el aceite derramado con un trapo.

## Abastecimiento de combustible

**⚠️ ADVERTENCIA:** Cuando vaya a reabastecer combustible, detenga el motor y espere a que éste se enfríe. De lo contrario puede existir riesgo de ignición, incendio o quemaduras.

**⚠️ ADVERTENCIA:** El abastecimiento de combustible debe efectuarse en un lugar libre de fuego para evitar una ignición o incendio. Nunca acerque fuego (humo de cigarro, etc.) al lugar de abastecimiento de combustible.

**⚠️ ADVERTENCIA:** Efectúe el reabastecimiento sobre una superficie plana. No efectúe el reabastecimiento sobre un lugar poco estable. Realice el reabastecimiento con buenas condiciones de luz y visibilidad.

**⚠️ ADVERTENCIA:** Abra la tapa del tanque de combustible lentamente. El combustible podría derramarse a causa de la presión interna.

**⚠️ ADVERTENCIA:** Tenga cuidado de no derramar el combustible. Limpie el combustible derramado.

**⚠️ ADVERTENCIA:** Efectúe el abastecimiento de combustible en un lugar bien ventilado.

**⚠️ ADVERTENCIA:** Realice el reabastecimiento en un lugar abierto y despejado.

**⚠️ ADVERTENCIA:** Manipule el combustible con cuidado.

**⚠️ PRECAUCIÓN:** Si el combustible llega a adherirse a la piel o a entrar en un ojo podría provocar alergias o irritación. En caso de detectarse alguna anomalía física, consulte a un médico especialista inmediatamente.

**AVISO: NO coloque aceite en el tanque de combustible.**

## Combustible

**⚠️ ADVERTENCIA:** Conserve la máquina y el tanque en un lugar frío al que no le dé la luz directa del sol.

**⚠️ ADVERTENCIA:** Nunca guarde el combustible en un automóvil.

El motor es de cuatro tiempos. Asegúrese de usar gasolina para automóviles. Asegúrese de usar gasolina sin plomo para automóviles con nivel de octanaje 87 o superior ((R+M)/2). Ésta puede contener no más de 10% de alcohol (E-10). De lo contrario podría causar un desempeño deficiente y dañar el motor.

**AVISO:** Nunca utilice gasolina mezclada con algún aceite, como por ejemplo aceite de 2 tiempos o aceite de motor. De lo contrario, esto podría causar una acumulación excesiva de carbón o problemas mecánicos.

**NOTA:** Conserve el combustible en un contenedor especial en una área bien ventilada y a la sombra. Utilice combustible dentro de un período de 4 semanas. De lo contrario, el combustible podría deteriorarse en un día.

## Método de reabastecimiento

**PRECAUCIÓN:** En caso de cualquier defecto o daño en la tapa del tanque, reemplácela.

**PRECAUCIÓN:** La tapa del tanque se desgasta con el paso del tiempo. Reemplácela cada dos años o tres años.

**AVISO:** NO coloque combustible en el puerto de llenado de aceite.

1. Afloje un poco la tapa del tanque para liberar la presión del tanque.
2. Retire la tapa del tanque y agregue combustible mientras descarga el aire inclinando el tanque de combustible, de tal manera que el puerto de reabastecimiento quede orientado hacia arriba. Durante el llenado, NO permita que el combustible llegue hasta la parte superior del tanque.
3. Cuando haya terminado el reabastecimiento, apriete firmemente la tapa del tanque.

# OPERACIÓN

## Puesta en marcha del motor

**ADVERTENCIA:** Nunca intente arrancar el motor en el lugar donde se ha abastecido el combustible. Esto podría causar una ignición o incendio. Cuando ponga en marcha el motor, mantenga una distancia de por lo menos 3 metros respecto al lugar de reabastecimiento.

**ADVERTENCIA:** El gas de escape del motor es tóxico. No opere el motor en un lugar poco ventilado, como por ejemplo un túnel, edificio, etc. Operar el motor en un lugar poco ventilado podría ocasionar envenenamiento por el gas de escape.

**ADVERTENCIA:** En caso de detectar alguna anomalía en el sonido, olor o vibración después del arranque, detenga el motor de inmediato y proceda a inspeccionarlo. Poner en marcha el motor sin tomar en cuenta dicha anomalía, podría provocar un accidente.

**ADVERTENCIA:** No toque la cubierta caliente del motor. De lo contrario puede existir riesgo de quemaduras.

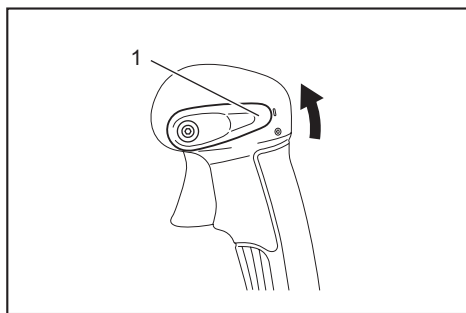
**ADVERTENCIA:** Asegúrese de que no haya fugas de combustible antes de arrancar el motor.

**ADVERTENCIA:** Asegúrese de que el motor se detenga cuando el interruptor de parada se ajuste a la posición "O".

## Cuando el motor esté frío o después de reabastecer combustible (arranque en frío)

1. Coloque la sopladora sobre una superficie plana.
2. Posición I/O

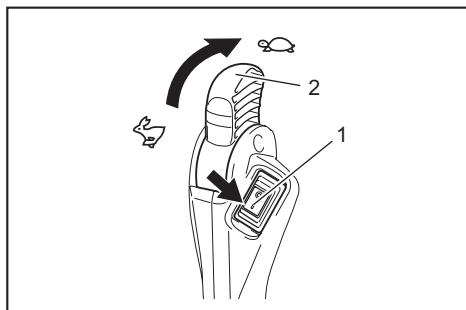
**Para el modelo de acelerador de tubo:** Ajuste la palanca de control de parada a la posición "I".



► 1. Palanca de control de parada

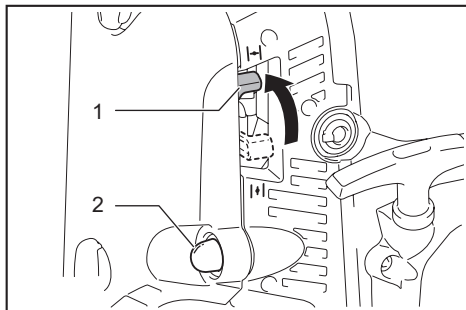
**Para el modelo de acelerador de cadera:**

Ajuste el interruptor de parada a la posición "I". Y asegúrese de que la palanca del acelerador esté ajustada a la posición de baja velocidad.



► 1. Interruptor de parada 2. Palanca del acelerador

3. Continúe presionando la bomba cebadora hasta que entre combustible en la misma.



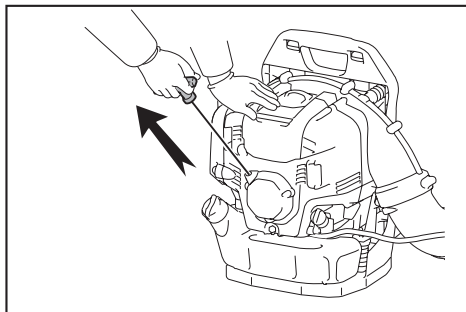
► 1. Palanca del ahogador 2. Bomba cebadora

**NOTA:** Por lo general, el combustible entra al carburador después de presionar de 7 veces a 10 veces.

**NOTA:** Aun así, si la bomba cebadora se presiona demasiado, un exceso de gasolina regresa al tanque de combustible.

4. Levante la palanca del ahogador hasta la posición cerrada.

5. Coloque su mano izquierda en la parte superior de la sopladora y jale lentamente la manija del arrancador con su mano derecha hasta sentir la compresión. Luego jale fuertemente la manija del arrancador.

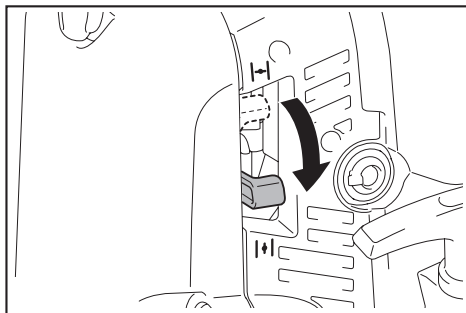


**AVISO:** Nunca jale la cuerda hasta el límite.

**AVISO:** Regrese con cuidado la perilla del arrancador a su lugar. De lo contrario, la perilla suelta del arrancador puede golpear su cuerpo o no regresar adecuadamente.

**NOTA:** Si el motor enciende y se para, regrese la palanca del ahogador a la posición "ABIERTA" y jale la manija del arrancador varias veces para arrancar el motor otra vez.

6. Cuando el motor arranque, baje la palanca del ahogador hasta la posición abierta.



**NOTA:** Abra la palanca del ahogador completamente antes de jalar el acelerador.

**NOTA:** A baja temperatura o cuando el motor no esté suficientemente caliente, evite abrir la palanca del ahogador repentinamente. De lo contrario el motor se puede detener.

7. Permita que se caliente el motor de 2 minutos a 3 minutos a velocidad de ralentí o baja.

8. El calentamiento se habrá completado cuando se produzca una aceleración rápida del motor, de pocas rpm hasta sentir el acelerador totalmente.

**NOTA:** Si el operador continúa jalando la manija del arrancador varias veces con la palanca del ahogador en la posición “CERRADA”, puede haber dificultad para arrancar el motor debido al desbordamiento de combustible. En caso de desbordamiento de combustible, retire la bujía y jale rápidamente la manija varias veces para descargar cualquier exceso de combustible. Seque el electrodo de la bujía.

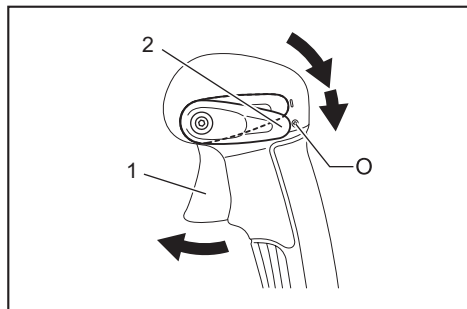
## Cuando el motor esté caliente (arranque en caliente)

**⚠️ PRECAUCIÓN:** Tenga cuidado de no quemar su mano. Use guantes cuando arranque el motor.

1. Coloque la sopladora sobre una superficie plana.
2. Presione la bomba cebadora varias veces.
3. Asegúrese de que la palanca del ahogador esté abierta.
4. Coloque su mano izquierda en la parte superior de la sopladora y jale lentamente la manija del arrancador con su mano derecha hasta sentir la compresión. Luego jale fuertemente la manija del arrancador.

## Parada del motor

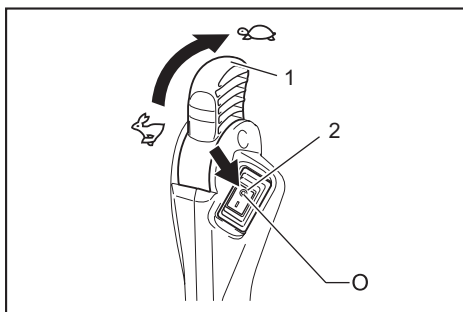
**Para el modelo de acelerador de tubo:** Suelte el gatillo del acelerador y luego ajuste la palanca de control de parada a la posición “O”.



- 1. Gatillo del acelerador 2. Palanca de control de parada

### Para el modelo de acelerador de cadera:

Ajuste la palanca del acelerador a la posición de baja velocidad para reducir la velocidad del motor. Luego ajuste el interruptor de parada a la posición “O”.



- 1. Palanca del acelerador 2. Interruptor de parada

## Prevención de congelamiento del carburador

**AVISO:** Cuando la temperatura ambiente sea de más de 10°C (50°F), regrese siempre la palanca al ajuste normal (marca de sol). De lo contrario, el motor podría dañarse a causa de un sobrecalentamiento.

Cuando la temperatura ambiente sea baja y la humedad alta, el vapor de agua puede congelarse en el interior del carburador haciendo que el motor se vuelva inestable (congelamiento del carburador). Cambie el ajuste de la palanca anticongelante según sea necesario tal como se indica a continuación.

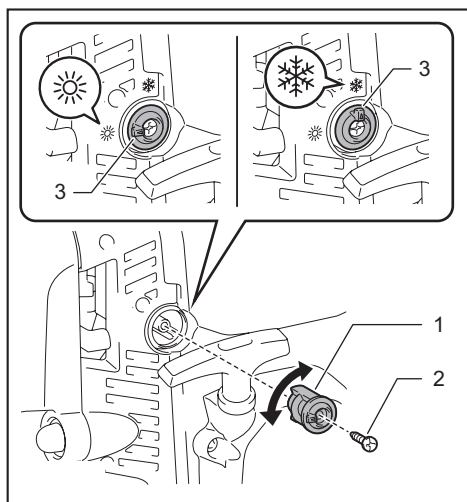
1. Retire el tornillo y extraiga la palanca anticongelante.
2. Inserte la palanca anticongelante como se indica a continuación:

### Temperatura ambiente superior a 10°C (50°F)

Ajuste la parte saliente a la marca de sol (posición más caliente).

### 10°C (50°F) o temperatura ambiente más baja

Ajuste la parte saliente a la marca de nieve (posición de anticongelamiento).



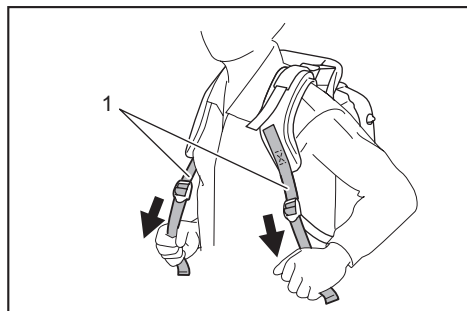
► 1. Palanca anticongelante 2. Tornillo 3. Parte saliente

3. Apriete el tornillo.

### Ajuste de la correa para hombro

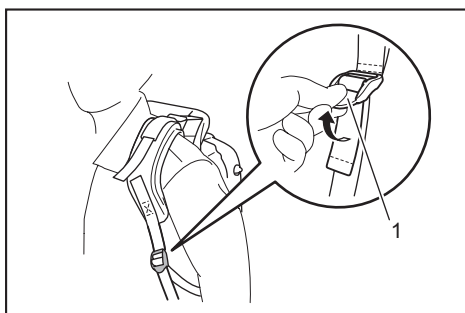
1. Ajuste la correa para hombro a una longitud que le resulte cómoda para trabajar mientras carga la sopladora.

Para apretar la correa, jale el extremo de la correa hacia abajo.



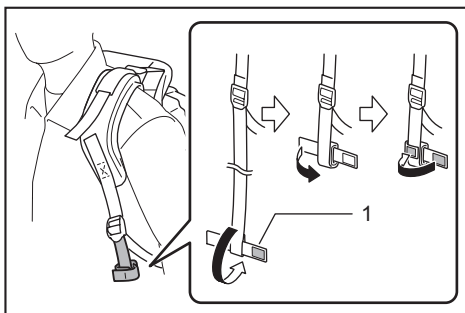
► 1. Correa para hombro

Para aflojar la correa, jale hacia arriba el extremo del sujetador.



► 1. Sujetador

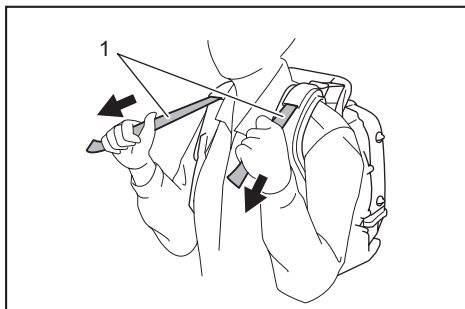
Enrolle el extremo de la correa y fíjelo con la tira.



► 1. Tira

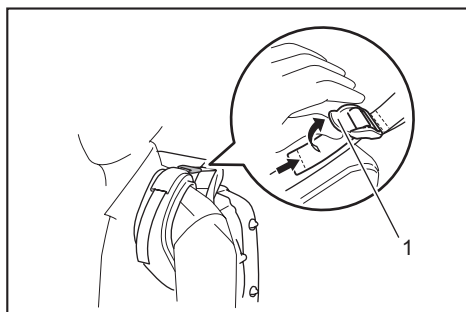
2. Jale la correa del estabilizador hasta que no haya espacio entre su espalda y la carcasa de la sopladora.

Para apretar la correa, jale el extremo de la correa hacia abajo.



► 1. Correa del estabilizador

Para aflojar la correa, jale hacia arriba el extremo del sujetador.

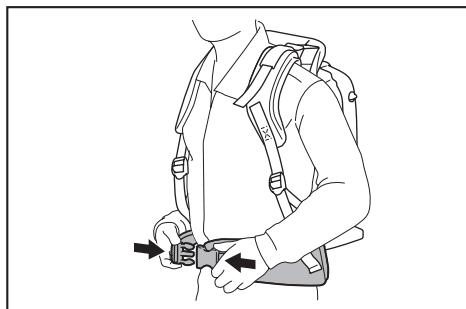


► 1. Sujetador

## Cinturón de cadera

### Accesorio opcional

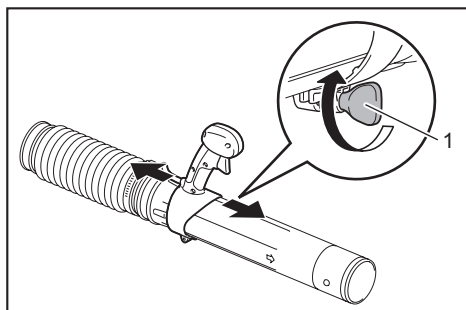
El cinturón de cadera le permite al operador cargar la herramienta de manera más estable.



**⚠ PRECAUCIÓN:** Asegúrese de liberar la hebilla del cinturón de cadera antes de descargar la sopladora.

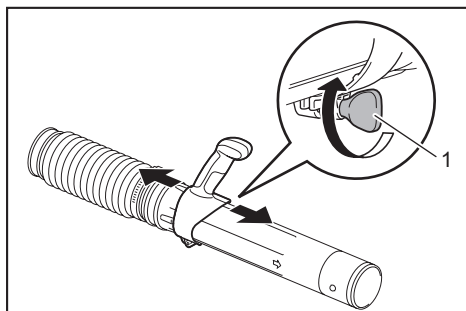
## Ajuste de la posición de la palanca de control

**Para el modelo de acelerador de tubo:** Mueva el mango de control a lo largo del tubo de la rótula hasta la posición más cómoda. Luego apriete el mango de control con el tornillo de sujeción.



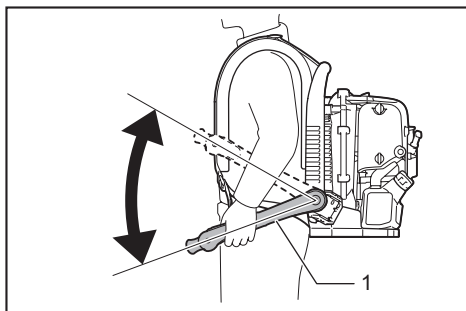
► 1. Tornillo de sujeción

**Para el modelo de acelerador de cadera:** Mueva el conjunto del mango a lo largo del tubo de la rótula hasta la posición más cómoda. Luego apriete el mango con el tornillo de sujeción.



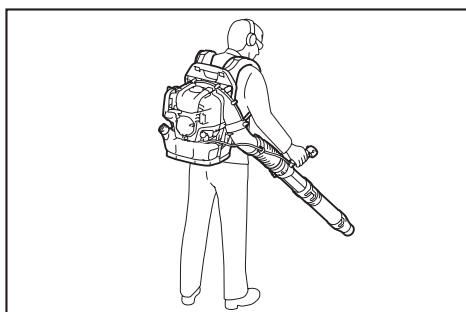
► 1. Tornillo de sujeción

Ajuste el ángulo del brazo de control.



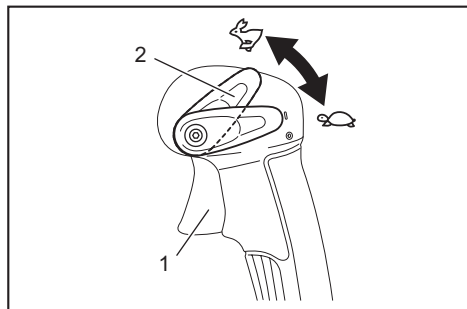
► 1. Brazo de control

## Operación de la sopladora



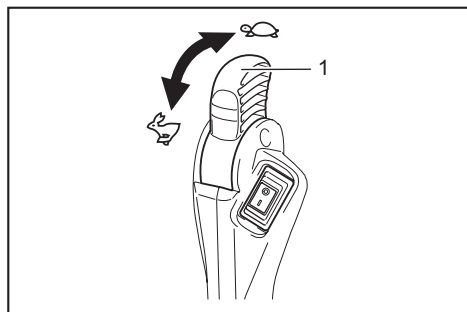
1. Mientras opera la sopladora, ajuste el gatillo del acelerador/palanca del acelerador de manera que la fuerza del viento sea la adecuada para el lugar y las condiciones de trabajo.
2. Ajuste la velocidad del motor.

**Para el modelo de acelerador de tubo:** La velocidad del motor se incrementa al jalar el gatillo del acelerador. Para reducir la velocidad del motor, suelte el gatillo del acelerador. La función de control de cruceo permite al operador mantener una velocidad constante del motor sin jalar la palanca del gatillo. Para aumentar la velocidad del motor, gire la palanca de control de parada hasta alta velocidad. Para reducir la velocidad del motor, gire la palanca de control de parada hasta baja velocidad.



► 1. Gatillo del acelerador 2. Palanca de control de parada

**Para el modelo de acelerador de cadera:** Para aumentar la velocidad del motor, gire la palanca del acelerador hasta alta velocidad. Para reducir la velocidad del motor, gire la palanca del acelerador hasta baja velocidad.



► 1. Palanca del acelerador

## Transporte de la sopladora

**PRECAUCIÓN:** Cuando vaya a transportar la sopladora, asegúrese de detener el motor.

**AVISO:** No se siente ni se pare sobre la sopladora ni le coloque objetos pesados encima. Esto podría dañar la máquina.

**AVISO:** Mantenga la sopladora en posición vertical cuando la transporte o almacene. Si no la transporta o almacena en posición vertical puede derramarse aceite en el interior del motor de la sopladora. Esto podría ocasionar fugas de aceite y la aparición de humo blanco por el quemado de aceite, y el filtro de aire podría ensuciarse de aceite.

**AVISO:** Cuando transporte la sopladora evite arrastrarla. De lo contrario, la carcasa de la sopladora podría dañarse.

## MANTENIMIENTO

**PRECAUCIÓN:** Antes de efectuar la inspección y el mantenimiento, detenga el motor y permita que éste se enfríe. Retire la bujía y el capuchón de la bujía. De lo contrario, el operador podría sufrir quemaduras o lesiones graves a causa de un arranque accidental.

**PRECAUCIÓN:** Una vez realizados la inspección y el mantenimiento, asegúrese de que todas las piezas estén ensambladas.

## Reemplazo del aceite del motor

**PRECAUCIÓN:** La unidad principal del motor y el aceite del motor siguen estando calientes justo después de haberse detenido el motor. Cuando reemplace el aceite del motor, asegúrese de que la unidad principal del motor y el aceite del motor se hayan enfriado lo suficiente. De lo contrario, podría seguir habiendo riesgo de quemaduras. Deje pasar suficiente tiempo después de detener el motor para que el aceite del motor regrese al tanque de aceite y asegurar así una lectura precisa de la cantidad de aceite.

**PRECAUCIÓN:** Si el nivel de aceite es rebasado, éste podría ensuciarse o prender fuego produciendo humo blanco.

**AVISO: Nunca deseche el aceite del motor reemplazado en la basura, la tierra o un canal de aguas negras.** El desecho de aceite está regulado por la ley. Siga siempre las leyes y reglamentos aplicables en relación con el desecho de aceite. Para más información, póngase en contacto con un agente de servicio autorizado.

**AVISO: El aceite se deteriora aun cuando no se utilice.** Efectúe la inspección y el reemplazo regularmente (reemplace con aceite nuevo cada 6 meses).

El aceite del motor deteriorado acorta la vida de las piezas deslizables y giratorias de forma considerable. Asegúrese de verificar el período y la cantidad de reemplazo.

## Intervalo de reemplazo

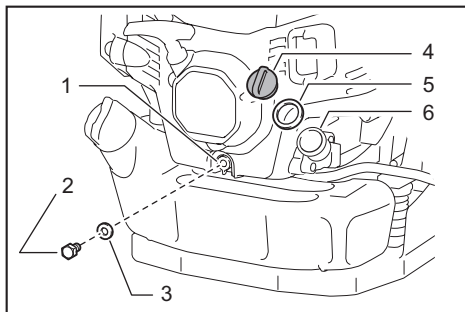
Después de las primeras 20 horas de operación y posteriormente cada 50 horas de operación

## Aceite recomendado

- Aceite del motor de cuatro tiempos original de Makita, o
- Aceite SAE 10W-30, clase SF o superior de la clasificación API (aceite del motor de cuatro tiempos para automóviles)

## Procedimiento de reemplazo de aceite

Cambie el aceite como se indica a continuación:



- 1. Orificio de drenaje 2. Perno de drenaje de aceite 3. Junta (arandela de aluminio)  
4. Tapón del aceite 5. Junta del tapón del aceite 6. Puerto de llenado de aceite

1. Coloque la sopladora sobre una superficie plana.
2. Coloque un contenedor para aceite residual debajo del orificio de drenaje para recoger el aceite drenado. El contenedor deberá tener una capacidad mínima de 140 ml (4,7 onzas líquidas) para recoger todo el aceite.

3. Afloje el perno de drenaje de aceite para permitir que drene el aceite. Tenga cuidado de que el aceite no entre en el tanque de combustible o en otras partes.

**AVISO: Procure no perder la junta (arandela de aluminio). Coloque el perno de drenaje de aceite en un lugar donde no acumule suciedad.**

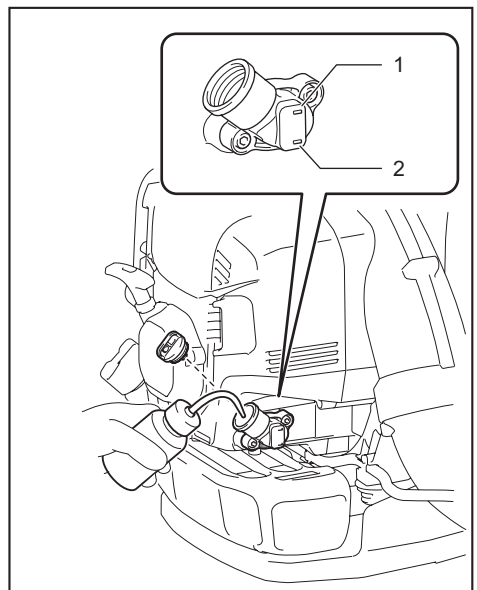
4. Retire el tapón del aceite. (Retirar el tapón del aceite permite que el aceite se drene fácilmente.)

**AVISO: Asegúrese de colocar el tapón del aceite en un lugar donde no acumule suciedad.**

5. Conforme el nivel del aceite drenado disminuya, incline la sopladora hacia el lado con el drenaje para que todo el aceite pueda vaciarse.
6. Una vez drenado todo el aceite, apriete el perno de drenaje de aceite firmemente. El no apretar firmemente el perno podría ocasionar una fuga de aceite.

**AVISO: No olvide volver a colocar la junta (arandela de aluminio) cuando fije de nuevo el tapón de drenaje.**

7. Vierta aproximadamente 140 ml (4,7 onzas líquidas) de aceite en el puerto de llenado de aceite hasta el límite superior del medidor de nivel de aceite.



- 1. Marca de límite superior 2. Marca de límite inferior



8. Después del llenado de aceite, apriete firmemente el tapón del aceite para evitar fugas de aceite.

**AVISO:** No olvide volver a colocar la junta del tapón del aceite cuando fije de nuevo el tapón del aceite.

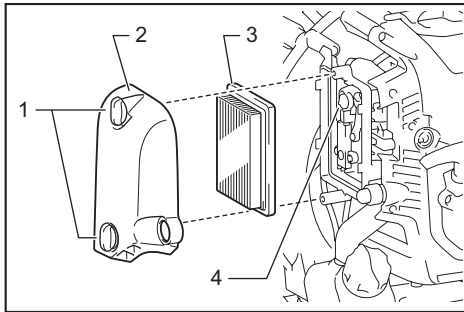
## Limpeza del filtro de aire

**ADVERTENCIA:** LOS OBJETOS INFLAMABLES ESTÁN EstrictAMENTE PROHIBIDOS

## Intervalo de limpieza e inspección

Diariamente (cada 10 horas de operación)

## Procedimiento de limpieza



► 1. Pernos de perilla 2. Cubierta del filtro de aire 3. Elemento 4. Respiradero

1. Afloje los pernos de perilla.
2. Retire la cubierta del filtro de aire.
3. Retire el elemento y limpie cualquier suciedad que tenga usando un paño o aire comprimido. Reemplace el elemento con uno nuevo en caso de estar dañado o muy sucio.

**NOTA:** El elemento es de tipo seco y no debe mojarse. Nunca lave con agua.

4. Limpie cualquier residuo de aceite alrededor del respiradero usando un trapo o paño.
5. Instale el elemento en la caja del filtro de aire.
6. Fije la cubierta del filtro de aire y apriete los pernos de perilla.

**AVISO:** Limpie el elemento varias veces al día en caso de haber presencia de polvo que se le haya adherido en exceso.

**AVISO:** Si se continúa la operación sin haberle quitado el aceite al elemento, el aceite podría caer fuera del filtro de aire provocando contaminación.

## Inspección de la bujía

**PRECAUCIÓN:** No toque la bujía mientras el motor esté funcionando. De lo contrario podría haber riesgo de descarga eléctrica.

**PRECAUCIÓN:** Ajuste la palanca de control de parada/interruptor de parada a la posición de apagado "O".

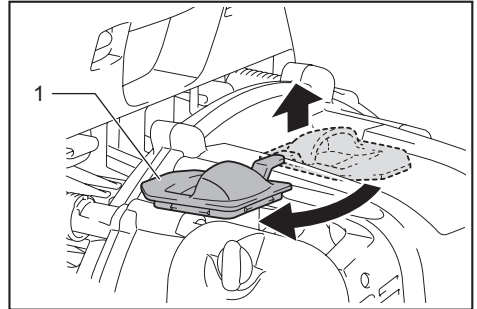
**PRECAUCIÓN:** Revise el cable de la bujía regularmente. En caso de estar dañado o rasgado, reemplácelo. De lo contrario podría haber riesgo de descarga eléctrica.

**AVISO:** Cuando retire la bujía, limpie primero la bujía y la culata para evitar que entre tierra, arena, etc. al cilindro.

**AVISO:** Retire la bujía una vez que el motor se haya enfriado a fin de evitar daños al orificio roscado en el cilindro.

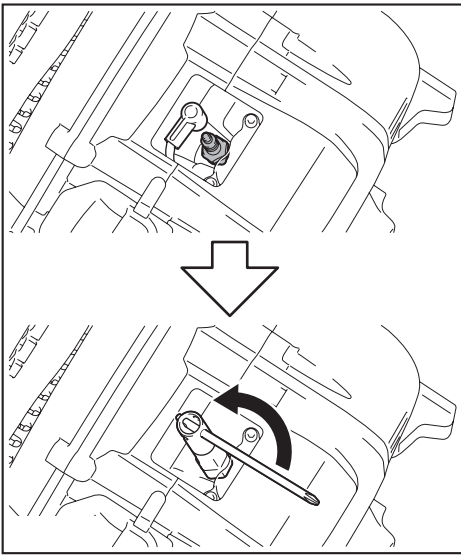
**AVISO:** Instale correctamente la bujía en el orificio roscado. Si se instala en un ángulo, el orificio roscado en el cilindro se dañará.

1. Para abrir la cubierta de la bujía, levántela y dele media vuelta.



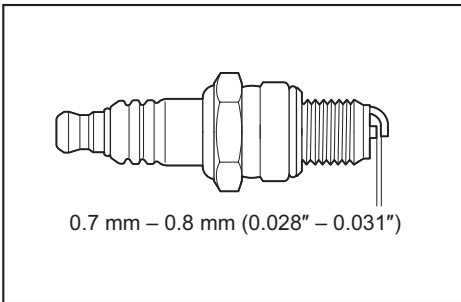
- 1. Cubierta de la bujía

2. Utilice la llave de ojo incluida como accesorio estándar para extraer o instalar la bujía.

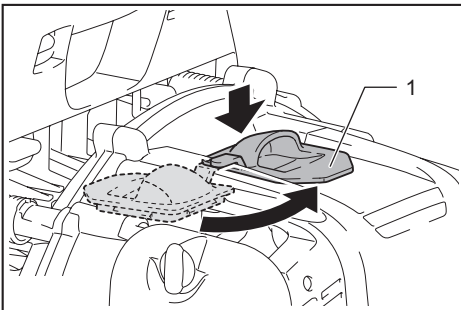


**3.** La distancia apropiada entre los dos electrodos de la bujía es de 0,7 mm a 0,8 mm (0,028" a 0,031"). Ajuste la distancia adecuada en caso de ser demasiado grande o pequeña. Limpie cuidadosamente la bujía o reemplácela si tiene carbón acumulado o está sucia.

Para reemplazarla, utilice la NGK CMR6H.



**4.** Para cerrar la cubierta de la bujía, dele media vuelta y presione alrededor de la hendidura.



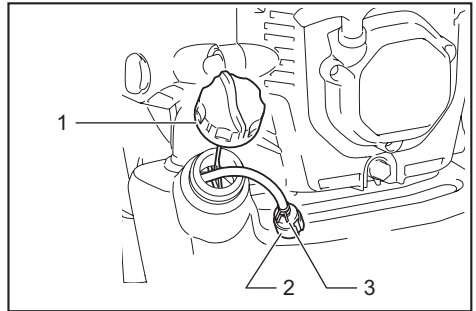
► **1.** Cubierta de la bujía

## Limpeza del filtro de combustible

**PRECAUCIÓN:** Asegúrese de que no haya daños en el tanque de combustible. En caso de haber algún daño en el tanque de combustible, pida a su centro de servicio autorizado que lo repare inmediatamente.

**AVISO:** Limpie el filtro de combustible regularmente. Un filtro de combustible obstruido podría dificultar el arranque o impedir que la velocidad del motor aumente.

Revise el filtro de combustible regularmente como se indica a continuación:



► **1.** Tapa del tanque de combustible **2.** Filtro de combustible **3.** Abrazadera de sujeción para manguera

**1.** Retire la tapa del tanque de combustible y drene el combustible para vaciar el tanque. Inspeccione el interior del tanque para ver que no haya ningún material extraño. En caso de haber algún material, límpielo.

**2.** Saque el filtro de combustible con un alambre a través del puerto de llenado de combustible.

**3.** Si la superficie del filtro de combustible está sucia, límpiela con gasolina.

**AVISO:** Siga el método especificado por cada autoridad local para desechar la gasolina utilizada para la limpieza del filtro de combustible.

**AVISO:** Reemplace el filtro de combustible en caso de estar excesivamente contaminado.

**4.** Después de la inspección, limpieza o reemplazo, inserte el filtro de combustible en el tubo de combustible y fíjelo con la abrazadera de sujeción para manguera. Coloque nuevamente el filtro de combustible en el tanque de combustible y apriete firmemente la tapa del tanque de combustible.

## Ajuste de la velocidad de ralentí

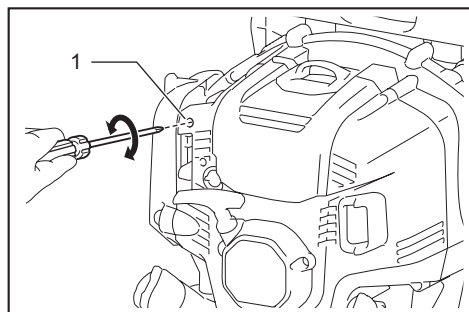
**⚠ PRECAUCIÓN:** El carburador está ajustado de fábrica. Nunca haga otro ajuste que no sea el de la velocidad de ralentí.

Para realizar otros ajustes, consulte a su centro de servicio autorizado.

Una rotación a baja velocidad adecuada es de 2 800 r/min.

En caso de ser necesario cambiar la velocidad de rotación, ajuste la velocidad de ralentí usando un destornillador Phillips.

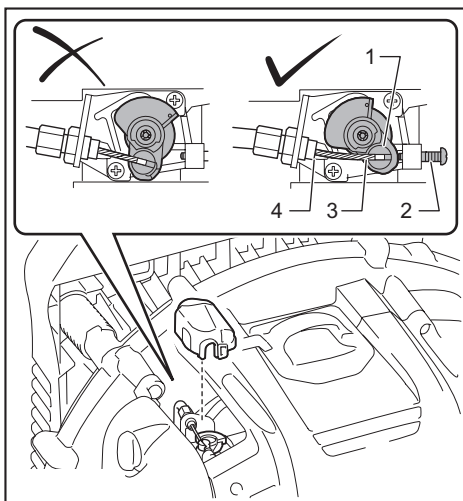
Si el motor se detiene o funciona de manera inestable en ralentí, gire el tornillo de ajuste hacia la derecha y la velocidad de ralentí aumentará. Si la máquina sopla demasiado fuerte en ralentí, gire el tornillo de ajuste hacia la izquierda y la velocidad de ralentí disminuirá.



► 1. Tornillo de ajuste del ralentí

## Inspección de la válvula del acelerador

Si el cable de control se dobla o enreda, la válvula del acelerador no hará contacto con el tornillo de ajuste del ralentí y esto impedirá que el motor funcione correctamente en ralentí. En este caso, reacomode el cable de control para asegurar el movimiento adecuado de la válvula.

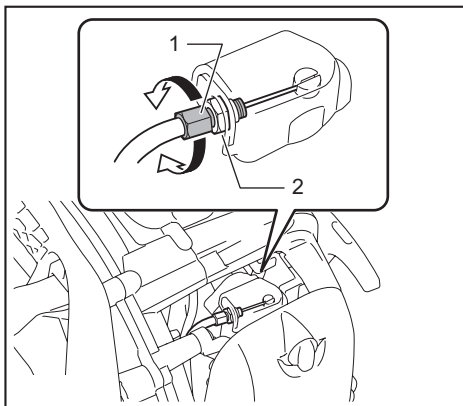


► 1. Válvula del acelerador 2. Tornillo de ajuste del ralentí 3. Cable de control 4. Tope de la válvula del acelerador

Si la válvula del acelerador no hace contacto con el tope de la válvula del acelerador aun al jalar completamente el gatillo del acelerador, o si la válvula del acelerador no hace contacto con el tornillo de ajuste del ralentí estando en ralentí, gire el perno de ajuste del cable como se indica a continuación:

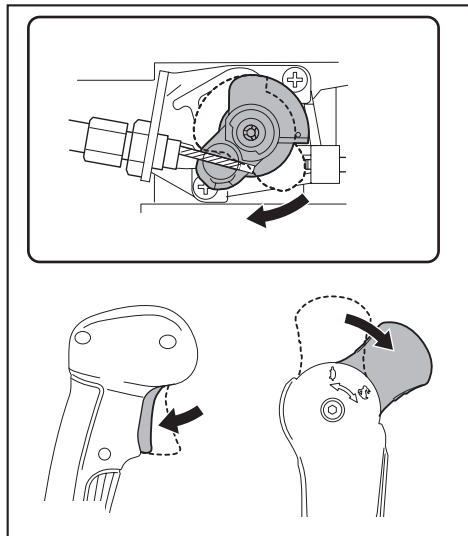
1. Afloje la tuerca de fijación.
2. Si la válvula del acelerador no hace contacto con el tope de la válvula del acelerador, gire el perno de ajuste del cable en sentido inverso al de las manecillas del reloj.

Si la válvula del acelerador no hace contacto con el tornillo de ajuste del ralentí, gire el perno de ajuste del cable en el sentido de las manecillas del reloj.



► 1. Perno de ajuste del cable 2. Tuerca de fijación

3. Apriete la tuerca de fijación para fijar el perno de ajuste del cable.
4. Verifique el movimiento de la válvula del acelerador. La válvula del acelerador se dirige a la posición ilustrada al jalar el gatillo del acelerador o girar la palanca del acelerador.

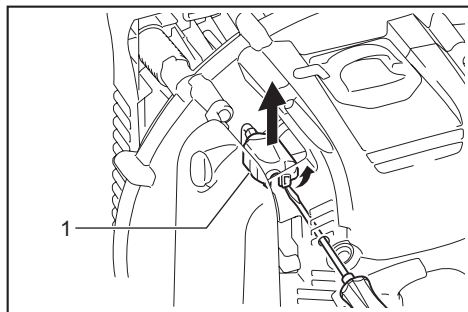


## Limpeza de la cubierta del carburador

Si la cubierta del carburador llega a ensuciarse y resulta difícil inspeccionar la válvula del acelerador, limpie la cubierta del carburador como se indica a continuación:

**AVISO: Nunca utilice gasolina, bencina, disolvente, alcohol o sustancias similares para limpiar la cubierta del carburador. De lo contrario ésta podría mancharse.**

1. Introduzca un destornillador plano a través del orificio en la cubierta del motor. Libere la abrazadera de la cubierta del carburador.



► 1. Cubierta del carburador

2. Limpie la cubierta del carburador.

**AVISO: Utilice un paño húmedo limpio para limpiar la cubierta del carburador.**

3. Coloque de nuevo la cubierta del carburador. Asegúrese de que la abrazadera de la cubierta del carburador haga clic al colocarla en su lugar.

## Inspección de pernos, tuercas, tornillos y otras piezas

Vuelva a apretar los pernos, tuercas, etc. que estén flojos.

Verifique que no haya fugas de combustible o aceite.

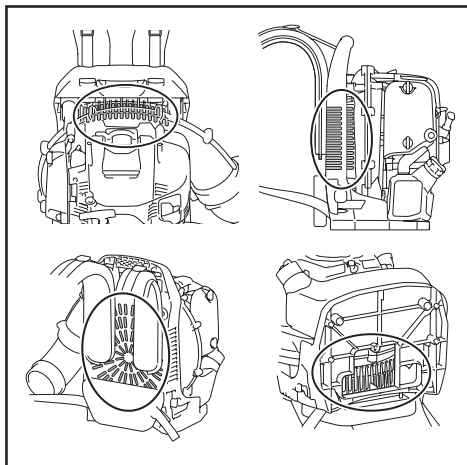
Reemplace las piezas dañadas con piezas nuevas para una operación segura.

## Limpeza del motor, entrada de aire de enfriamiento

Mantenga limpio el motor usando un paño.

Mantenga las aletas del cilindro libres de polvo o suciedad. El polvo o suciedad adherida a las aletas podría causar el sobrecalentamiento del motor y el atascamiento de los pistones.

El aire soplado se toma del respiradero de entrada de aire. Cuando el flujo de aire disminuya durante la operación, detenga el motor e inspeccione el respiradero de entrada de aire para ver que no haya ningún bloqueo. Limpie si es necesario. Los bloqueos pueden causar un sobrecalentamiento y dañar el motor.



## Reemplazo de juntas y empaques

Reemplace las juntas y empaques si se desensambla el motor.

Cualquier trabajo de mantenimiento o ajuste no incluido y descrito en este manual deberá ser realizado únicamente por un agente de servicio autorizado.

## Almacenamiento

**⚠️ ADVERTENCIA:** Durante el drenado de combustible, detenga el motor y espere a que éste se enfríe. El no hacerlo podría provocar quemaduras o un incendio.

**⚠️ PRECAUCIÓN:** Cuando vaya a almacenar la máquina durante un tiempo prolongado, drene todo el combustible del tanque de combustible y el carburador, y guárdelo en un lugar seco y limpio.

Drene el combustible del tanque de combustible y el carburador antes de almacenar la máquina como se indica a continuación:

1. Retire la tapa del tanque de combustible y drene completamente el combustible. En caso de haber algún material extraño en el tanque de combustible, retírelo por completo.
2. Saque el filtro de combustible del puerto de llenado usando un alambre.
3. Presione la bomba cebadora hasta drenar el combustible de ahí y drene el combustible entrante al tanque de combustible.
4. Coloque nuevamente el filtro en el tanque de combustible y apriete firmemente la tapa del tanque de combustible.
5. Luego, continúe operando el motor hasta que se detenga.
6. Retire la bujía y deje escurrir varias gotas de aceite del motor a través del orificio de la bujía.
7. Jale suavemente la manija del arrancador para que el aceite del motor se extienda sobre el motor y fije la bujía.
8. Mantenga la máquina con su mango de transporte hacia arriba.
9. Conserve el combustible drenado en un contenedor especial en una área bien ventilada y a la sombra.

## Localización de averías

Avería	Sistema	Observación	Causa
El motor no arranca o lo hace con dificultad	Sistema de encendido	Chispas de encendido.	Falla en el suministro de combustible o sistema de compresión, defecto mecánico.
		No hay chispas de encendido.	Interruptor de parada activado, falla del cableado o cortocircuito, bujía o conector defectuoso, falla en el módulo de encendido.
	Abastecimiento de combustible	Tanque de combustible lleno.	Posición incorrecta del ahogador, carburador defectuoso, línea de suministro de combustible doblada o bloqueada, combustible sucio.
	Compresión	No hay compresión al detenerse.	Junta inferior del cilindro defectuosa, retenes del cigüeñal dañados, cilindro o anillos de los pistones defectuosos o sellado inapropiado de la bujía.
	Falla mecánica	El arrancador no se engancha.	Resorte del arrancador roto, piezas rotas en el interior del motor.
Problemas de arranque en caliente	-	Tanque lleno. Chispas de encendido.	Carburador sucio, debe limpiarse.
El motor arranca pero se detiene de inmediato	Abastecimiento de combustible	Tanque lleno.	Ajuste incorrecto del ralentí, carburador sucio.
			Respiradero del tanque de combustible defectuoso, línea de suministro de combustible interrumpida, falla del cable o interruptor de parada.
Desempeño deficiente	Varios sistemas pueden verse afectados simultáneamente	Ralentí del motor deficiente.	Filtro de aire sucio, carburador sucio, silenciador obstruido, conducto de escape en el cilindro obstruido.

## Intervalo de inspección y mantenimiento

		Antes de la operación	Después del abastecimiento de combustible	Diariamente (10 horas)	50 horas	200 horas	600 horas o 2 años, lo que suceda primero	Antes del almacenamiento
Aceite del motor	Inspeccionar/ rellenar	○	-	-	-	-	-	-
	Reemplazar	-	-	-	○ (Nota 1)	-	-	-
Piezas de apriete (pernos, tuercas)	Inspeccionar	○	-	-	-	-	-	-
Entrada de aire de enfriamiento	Limpiar/ inspeccionar	○	-	-	-	-	-	-
Tanque de combustible	Limpiar/ inspeccionar	○	-	-	-	-	-	-
	Drenar combustible	-	-	-	-	-	-	○ (Nota 3)
Gatillo del acelerador/ palanca del acelerador	Revisar funcionamiento	-	○	-	-	-	-	-
Parada del motor	Revisar funcionamiento	-	○	-	-	-	-	-
Ajuste de la velocidad de ralentí	Inspeccionar/ ajustar	-	○	-	-	-	-	-
Filtro de aire	Limpiar	-	-	○	-	-	-	-
	Inspeccionar/reemplazar en caso necesario	-	-	-	-	○	-	-
Cable de control	Inspeccionar/ ajustar	-	-	○	-	-	-	-
	Inspeccionar/reemplazar en caso necesario	-	-	-	-	○ (Nota 2)	-	-

-		Antes de la operación	Después del abastecimiento de combustible	Diariamente (10 horas)	50 horas	200 horas	600 horas o 2 años, lo que suceda primero	Antes del almacenamiento
Bujía	Inspeccionar/ajustar distancia en caso necesario	-	-	○	-	-	-	-
	Limpiar/reemplazar en caso necesario	-	-	-	-	○	-	-
Cable de la bujía	Inspeccionar/reemplazar en caso necesario	-	-	-	-	○ (Nota 2)	-	-
Tubo de combustible	Inspeccionar	-	-	○	-	-	-	-
	Reemplazar	-	-	-	-	○ (Nota 2)	-	-
Filtro de combustible	Limpiar/reemplazar en caso necesario	-	-	-	○	-	-	-
Tubo de aceite	Inspeccionar	-	-	-	-	○ (Nota 2)	-	-
Distancia entre las válvulas (válvula de entrada y válvula de escape)	Inspeccionar/ajustar	-	-	-	-	○ (Nota 2)	-	-
Silenciador	Inspeccionar/limpiar	-	-	-	-	○ (Nota 2)	-	-
Cámara de combustión/válvula/puerto	Inspeccionar/limpiar	-	-	-	-	○ (Nota 2)	-	-
Motor	Examinar	-	-	-	-	-	○ (Nota 2)	-
Carburador	Drenar combustible	-	-	-	-	-	-	○ (Nota 3)

Nota 1: Efectúe el reemplazo inicial después de 20 horas de operación.

Nota 2: Para la inspección, solicítela a un agente de servicio autorizado o taller de maquinaria.

Nota 3: Después de vaciar el tanque de combustible, continúe operando el motor y drene el combustible en el carburador.



# RESOLUCIÓN DE PROBLEMAS

Antes de solicitar alguna reparación, primero realice una inspección por su cuenta. Si detecta algún problema que no esté explicado en el manual, no intente desensamblar la herramienta. En vez de esto, solicite la reparación a un centro de servicio autorizado de Makita, usando siempre piezas de repuesto Makita.

Estado de la anomalía	Causa probable (avería)	Remedio
El motor no arranca.	La bomba cebadora no funciona.	Presione de 7 veces a 10 veces.
	Baja velocidad de tiro de la cuerda del arrancador.	Tire con fuerza.
	Falta de combustible.	Suministre combustible.
	Filtro de combustible obstruido.	Limpie el filtro de combustible o reemplácelo con uno nuevo.
	Tubo de combustible doblado.	Enderece el tubo de combustible.
	Combustible deteriorado.	El combustible deteriorado dificulta aún más el arranque. Reemplácelo con uno nuevo. (Reemplazo recomendado: 1 mes)
	Succión excesiva de combustible.	Ajuste la palanca del acelerador de media velocidad a alta velocidad y jale la manija del arrancador hasta que el motor se ponga en marcha. Si el motor aún no arranca, retire la bujía, seque el electrodo y vuelva a ensamblarlos como estaban originalmente. Luego póngalo en marcha según se especifica.
	Capuchón de la bujía desinstalado.	Instale firmemente.
	Bujía sucia.	Limpie la bujía.
	Distancia anormal de la bujía.	Ajuste la distancia.
	Otra anomalía de la bujía.	Reemplace la bujía.
	Carburador anómalo.	Solicite su inspección y reparación a nuestro centro de servicio autorizado.
	No se puede jalar la perilla del arrancador.	Solicite su inspección y reparación a nuestro centro de servicio autorizado.
Problema con las piezas internas del motor.	Solicite su inspección y reparación a nuestro centro de servicio autorizado.	

<b>Estado de la anomalía</b>	<b>Causa probable (avería)</b>	<b>Remedio</b>
El motor se detiene enseguida. La velocidad del motor no se incrementa.	No se calienta lo suficiente.	Efectúe la operación de calentamiento.
	La palanca del ahogador está ajustada a "cerrada" aunque el motor se calienta.	Ajuste a "abierta".
	Filtro de combustible obstruido.	Limpie el filtro de combustible.
	Filtro de aire sucio u obstruido.	Limpie el filtro de aire.
	Cable de control desinstalado.	Instale el cable de control firmemente.
	Problema con las piezas internas del motor.	Solicite su inspección y reparación a nuestro centro de servicio autorizado.
El acelerador no regresa a la velocidad de ralentí.	Posición inadecuada de la válvula del acelerador.	Reacomode el cable de control. Ajuste la posición de la válvula del acelerador girando el perno de ajuste del cable.
El motor no se detiene. ⇒ Haga funcionar el motor en ralentí y ajuste la palanca del ahogador a "cerrada".	Conector desinstalado.	Instale el conector firmemente.
	Sistema eléctrico anómalo.	Solicite su inspección y reparación a nuestro centro de servicio autorizado.



<USA only>

# **WARNING**

The engine exhaust from this product contains chemicals known to the State of California to cause cancer, birth defects or other reproductive harm.

<USA solamente>

# **ADVERTENCIA**

Los gases de escape del motor de este producto contienen sustancias químicas conocidas en el Estado de California como causantes de cáncer, defectos genéticos y otros problemas relacionados con la reproducción.

**Makita Corporation**  
3-11-8, Sumiyoshi-cho,  
Anjo, Aichi 446-8502 Japan

885541-942  
EB5300TH-1  
EN, FRCA, ESMX  
20161213

[www.makita.com](http://www.makita.com)